

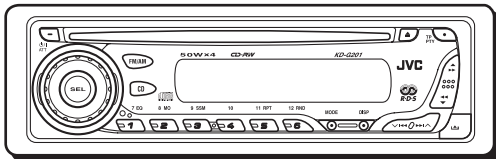
JVC

SERVICE MANUAL

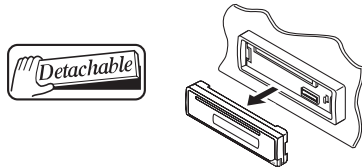
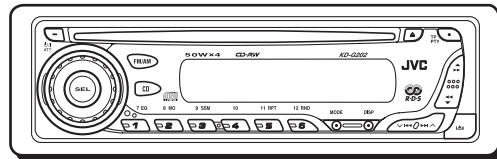
CD RECEIVER

KD-G201, KD-G202, KD-G207

KD-G201



KD-G202

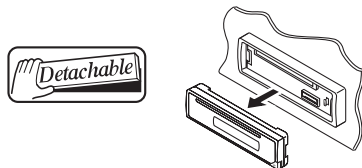
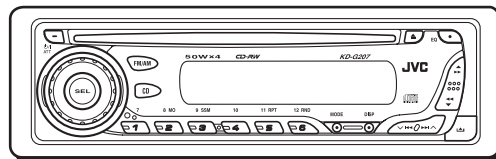


KD-G201, KD-G202

Area suffix

E ----- Continental Europe
EX ----- Central Europe

KD-G207



KD-G207

Area suffix

EE ----- Russian Federation

	KD-G201 E	KD-G202 E/EX	KD-G207 EE/EX
STEERING CABLE	○	○	×
RDS	○	○	×
LINE OUT	○	○	×

TABLE OF CONTENTS

1	PRECAUTION.....	1-4
2	SPECIFIC SERVICE INSTRUCTIONS.....	1-6
3	DISASSEMBLY.....	1-7
4	ADJUSTMENT.....	1-25
5	TROUBLE SHOOTING.....	1-26

SPECIFICATION

■KD-G202/KD-G201

AUDIO AMPLIFIER SECTION		
Maximum Power Output	Front	50 W per channel
	Rear	50 W per channel
Continuous Power Output (RMS)	Front	19 W per channel into 4 Ω , 40 Hz to 20 000 Hz at no more than 0.8% total harmonic distortion.
	Rear	19 W per channel into 4 Ω , 40 Hz to 20 000 Hz at no more than 0.8% total harmonic distortion.
Load Impedance	4 Ω (4 Ω to 8 Ω allowance)	
Tone Control Range	Bass	\pm 10 dB at 100 Hz
	Treble	\pm 10 dB at 10 kHz
Frequency Response	40 Hz to 20 000 Hz	
Signal-to-Noise Ratio	70 dB	
Line-Out Level/Impedance	2.0 V/20 k Ω load (full scale)	
Output Impedance	1 k Ω	
TUNER SECTION		
Frequency Range	FM	87.5 MHz to 108.0 MHz
	AM	(MW) 522 kHz to 1 620 kHz
		(LW) 144 kHz to 279 kHz
[FM Tuner]	Usable Sensitivity	11.3 dBf (1.0 μ V/75 Ω)
	50 dB Quieting Sensitivity	16.3 dBf (1.8 μ V/75 Ω)
	Alternate Channel Selectivity (400 kHz)	65 dB
	Frequency Response	40 Hz to 15 000 Hz
	Stereo Separation	30 dB
	Capture Ratio	1.5 dB
[MW Tuner]	Sensitivity	20 μ V
	Selectivity	35 dB
[LW Tuner]	Selectivity	50 μ V
CD PLAYER SECTION		
Type	Compact disc player	
Signal Detection System	Non-contact optical pickup (semiconductor laser)	
Number of channels	2 channels (stereo)	
Frequency Response	5 Hz to 20 000 Hz	
Dynamic Range	96 dB	
Signal-to-Noise Ratio	98 dB	
Wow and Flutter	Less than measurable limit	
GENERAL		
Power Requirement	Operating Voltage	DC 14.4 V (11 V to 16 V allowance)
Grounding System	Negative ground	
Allowable Operating Temperature	0°C to +40°C	
Dimensions (W \times H \times D)	Installation Size (approx.)	182 mm \times 52 mm \times 150 mm
	Panel Size (approx.)	188 mm \times 58 mm \times 11 mm
Mass (approx.)	1.3 kg (excluding accessories)	

Design and specifications are subject to change without notice.

■KD-G207

AUDIO AMPLIFIER SECTION		
Maximum Power Output	Front	50 W per channel
	Rear	50 W per channel
Continuous Power Output (RMS)	Front	19 W per channel into 4 Ω, 40 Hz to 20 000 Hz at no more than 0.8% total harmonic distortion.
	Rear	19 W per channel into 4 Ω, 40 Hz to 20 000 Hz at no more than 0.8% total harmonic distortion.
Load Impedance	4 Ω (4 Ω to 8 Ω allowance)	
Tone Control Range	Bass	±10 dB at 100 Hz
	Treble	±10 dB at 10 kHz
Frequency Response	40 Hz to 20 000 Hz	
Signal-to-Noise Ratio	70 dB	
Line-Out Level/Impedance	2.0 V/20 kΩ load (full scale)	
Output Impedance	1 kΩ	
TUNER SECTION		
Frequency Range	FM1/FM2	87.5 MHz to 108.0 MHz
	FM3	65.00 MHz to 74.00 MHz
	AM	(MW) 522 kHz to 1 620 kHz
		(LW) 144 kHz to 279 kHz
[FM Tuner]	Usable Sensitivity	11.3 dBf (1.0 μV/75 Ω)
	50 dB Quieting Sensitivity	16.3 dBf (1.8 μV/75 Ω)
	Alternate Channel Selectivity (400 kHz)	65 dB
	Frequency Response	40 Hz to 15 000 Hz
	Stereo Separation	30 dB
	Capture Ratio	1.5 dB
[MW Tuner]	Sensitivity	20 μV
	Selectivity	35 dB
[LW Tuner]	Selectivity	50 μV
CD PLAYER SECTION		
Type	Compact disc player	
Signal Detection System	Non-contact optical pickup (semiconductor laser)	
Number of channels	2 channels (stereo)	
Frequency Response	5 Hz to 20 000 Hz	
Dynamic Range	96 dB	
Signal-to-Noise Ratio	98 dB	
Wow and Flutter	Less than measurable limit	
GENERAL		
Power Requirement	Operating Voltage	DC 14.4 V (11 V to 16 V allowance)
Grounding System	Negative ground	
Allowable Operating Temperature	0°C to +40°C	
Dimensions (W × H × D)	Installation Size (approx.)	182 mm × 52 mm × 150 mm
	Panel Size (approx.)	188 mm × 58 mm × 11 mm
Mass (approx.)	1.3 kg (excluding accessories)	

Design and specifications are subject to change without notice.

SECTION 3 DISASSEMBLY

3.1 Main body

3.1.1 Removing the front panel assembly (See Fig.1)

- (1) Push the detach button in the lower right part of the front panel assembly and remove the front panel assembly.

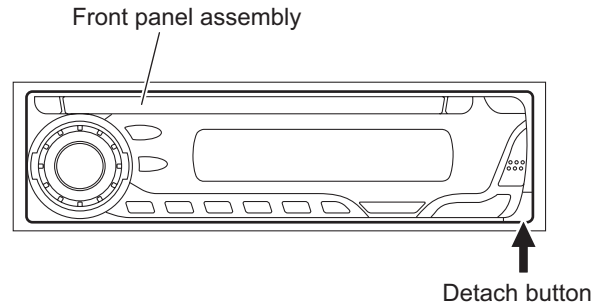


Fig.1

3.1.2 Removing the bottom cover (See Fig.2)

- (1) From the bottom side of the main body, release the two joints **a**, two joints **b** and joint **c**.

CAUTION:

Do not damage the main board when releasing the joints using a screwdriver.

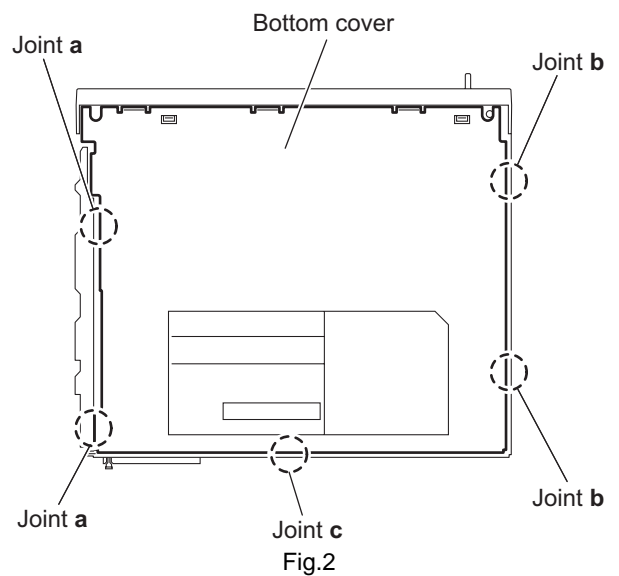


Fig.2

3.1.3 Removing the front chassis assembly (See Fig.3)

- Prior to performing the following procedures, remove the front panel assembly and bottom cover.
- (1) Remove the two screws **A** on the both sides of the main body.
 - (2) Release the two joints **d** and two joints **e** on the both sides of the main body, then remove the front chassis assembly toward the front.

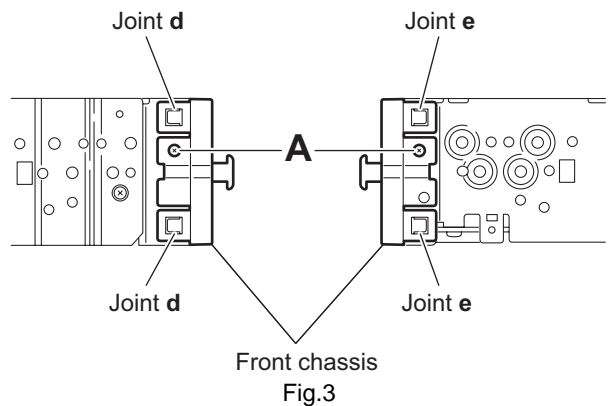
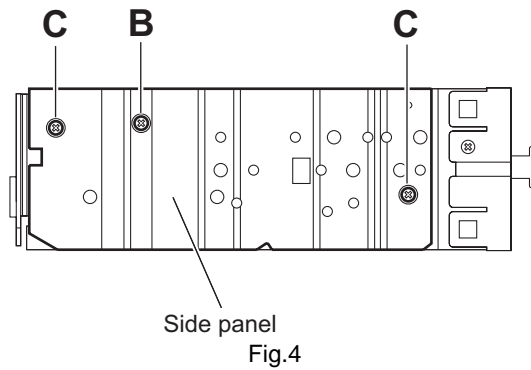


Fig.3

**3.1.4 Removing the side panel
(See Fig.4)**

- Prior to performing the following procedure, remove the front panel assembly as required.
 - (1) Remove the screw **B** and two screws **C** attaching the heat sink on the left side of the main body, and remove the side panel.

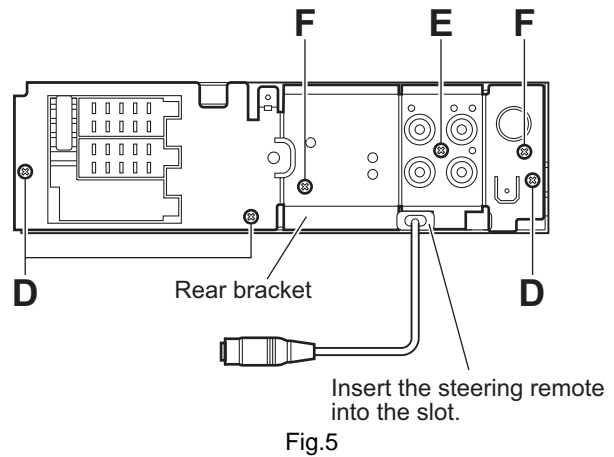


**3.1.5 Removing the rear bracket
(See Fig.5)**

- Prior to performing the following procedure, remove the bottom cover.
 - (1) Remove the three screws **D**, screw **E** and two screws **F** attaching the rear bracket on the back side of the main body.
 - (2) Remove the rear bracket.

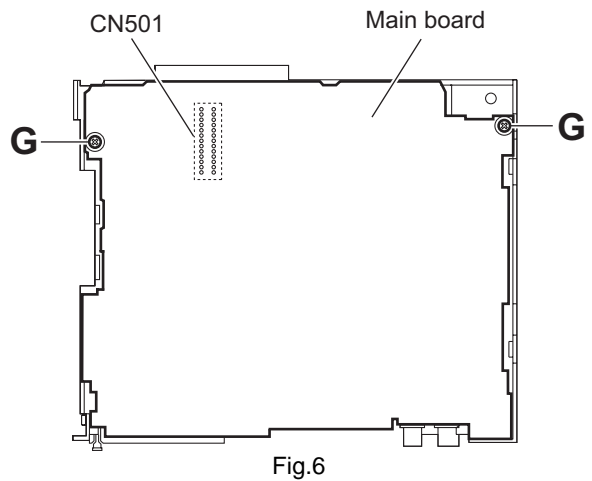
**3.1.6 Removing the main board
(See Figs.5 and 6)**

- Prior to performing the following procedures, remove the front panel assembly, bottom cover, front chassis assembly and side panel.
- Remove the front chassis assembly as required.
 - (1) Remove the three screws **D** attaching the rear bracket on the back side of the main body. (See fig.5.)
 - (2) From the bottom side of the main body, remove the two screws **H** attaching the main board. (See fig.6.)
 - (3) Disconnect the connector [CN501](#) from the CD mechanism assembly and remove the main board. (See fig.6.)



Reference:

- Remove the rear bracket from the main body as required.(See "3.1.5 Removing the rear bracket ".)
- During reassembly, before fixing the rear bracket onto the main body, insert the steering remote into the slot. (For G201 and G202)



3.1.7 Removing the CD mechanism assembly (See Fig.7)

- Prior to performing the following procedure, remove the front panel assembly, bottom cover, front chassis assembly, side panel, rear bracket, main board and CD mechanism board.
 - (1) Remove the three screws **H** attaching the top chassis.
 - (2) Take out the CD mechanism assembly.
 - (3)

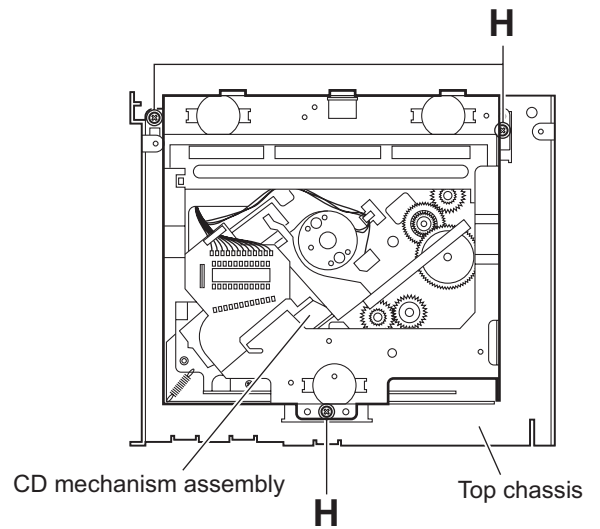


Fig.7

3.1.8 Removing the front board (See Figs.8 to 10)

- Prior to performing the following procedure, remove the front panel assembly.
 - (1) Remove the four screws **J** on the back side of the front panel assembly. (See Fig.8.)
 - (2) Release the ten joints **f** attaching the rear cover to the front panel assembly. (See Fig.9.)
 - (3) Release the joint **g** and take out the front board. (See Fig.10.)

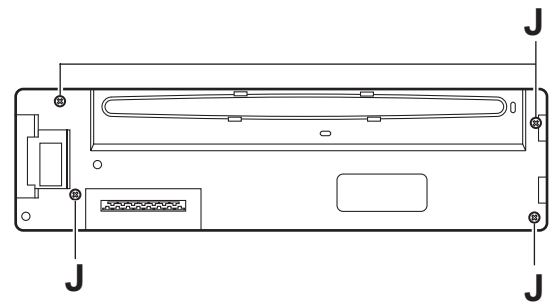


Fig.8

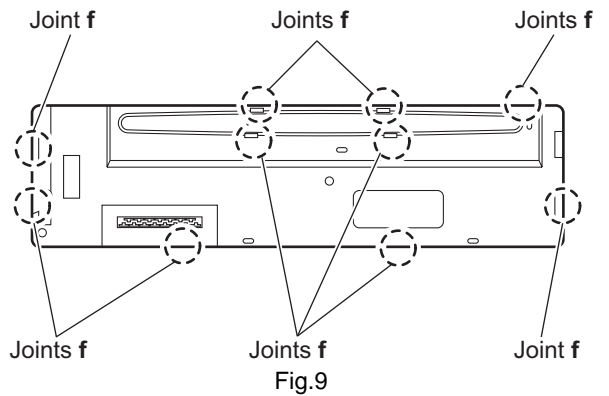


Fig.9

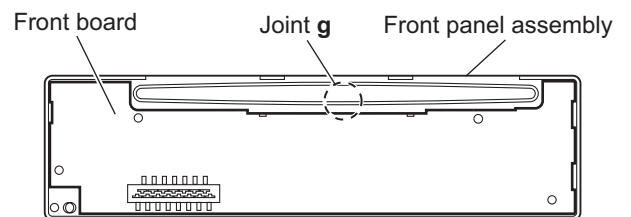


Fig.10

3.2 CD Mechanism Assembly

3.2.1 Removing the top cover (See Figs.1 and 2)

- (1) Remove the two screws **A** on the both side of the body.
- (2) Lift the front side of the top cover and move the top cover backward to release the two joints **a**.

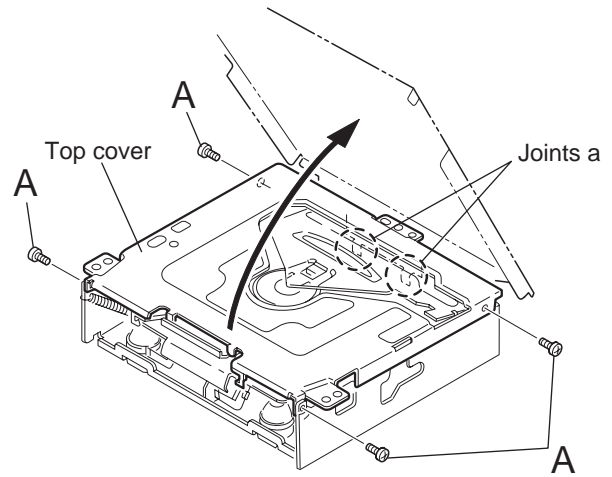


Fig.1

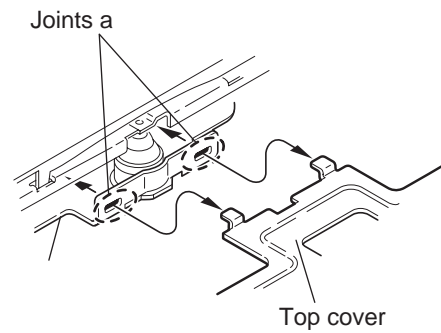


Fig.2

3.2.2 Removing the connector board (See Figs.3 to 5)

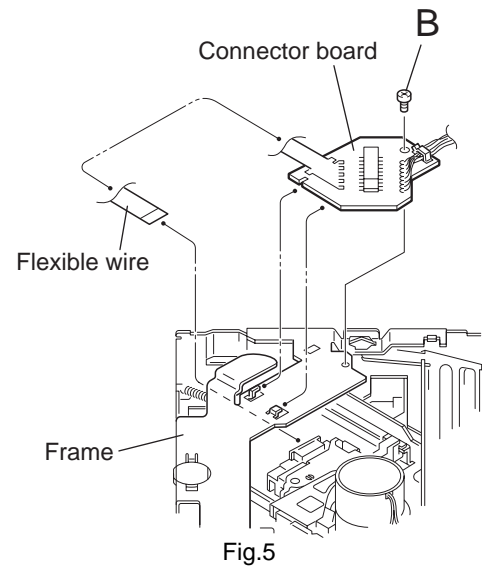
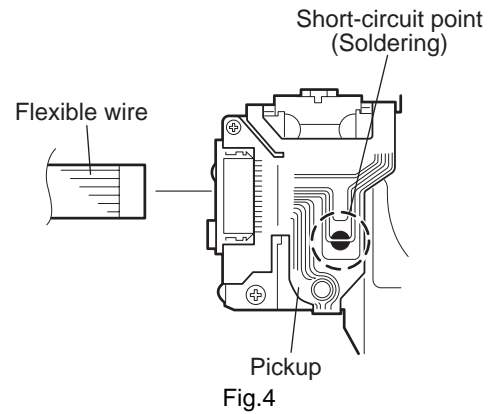
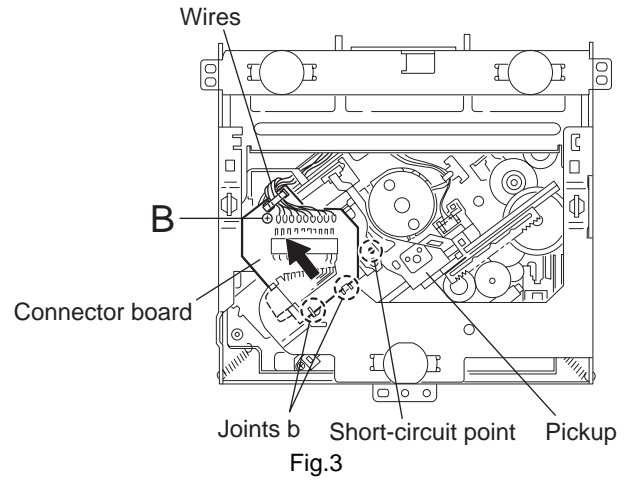
CAUTION:

Before disconnecting the flexible wire from the pickup, solder the short-circuit point on the pickup. No observance of this instruction may cause damage of the pickup.

- (1) Remove the screw **B** fixing the connector board.
- (2) Solder the short-circuit point on the connector board.
- (3) Disconnect the flexible wire from the pickup.
- (4) Move the connector board in the direction of the arrow to release the two joints **b**.
- (5) Unsolder the wire on the connector board if necessary.

CAUTION:

Unsolder the short-circuit point after reassembling.



3.2.3 Removing the DET switch (See Figs.6 and 7)

- (1) Extend the two tabs **c** of the feed sw. holder and pull out the switch.
- (2) Unsolder the DET switch wire if necessary.

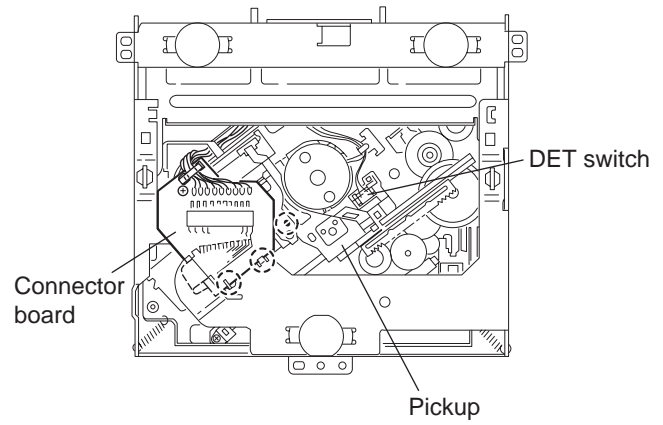


Fig.6

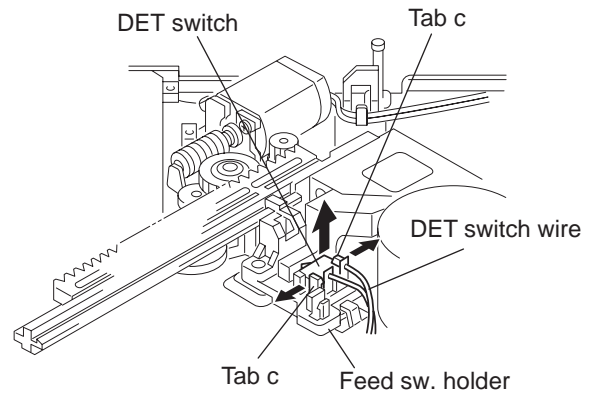


Fig.7

3.2.4 Removing the chassis unit (See Figs.8 and 9)

- Prior to performing the following procedure, remove the top cover and connector board.
 - (1) Remove the two suspension springs (L) and (R) attaching the chassis unit to the frame.

CAUTION:

- The shape of the suspension spring (L) and (R) are different. Handle them with care.
- When reassembling, make sure that the three shafts on the underside of the chassis unit are inserted to the dampers certainly.

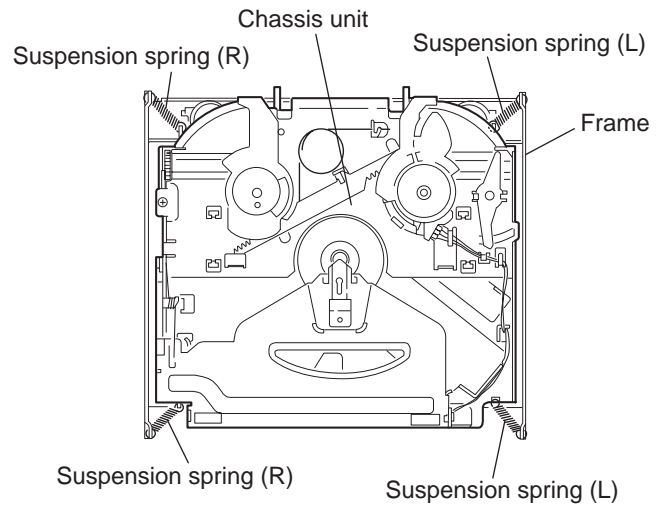


Fig.8

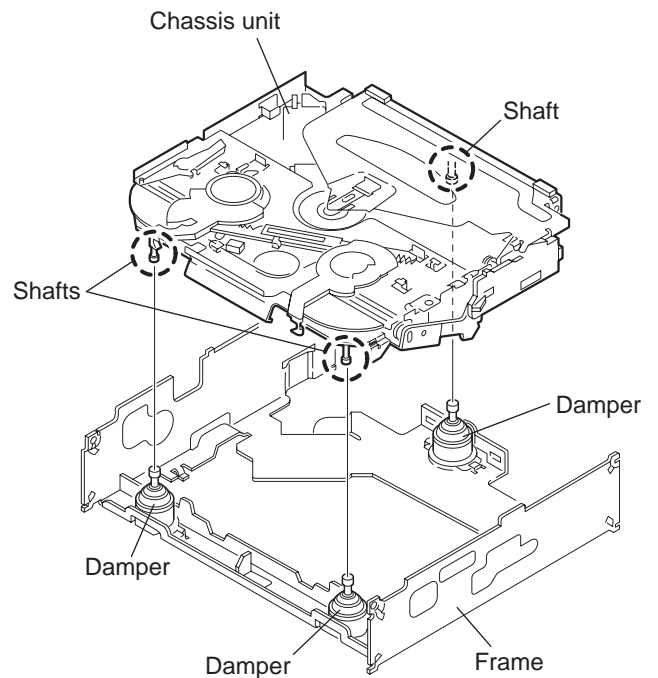
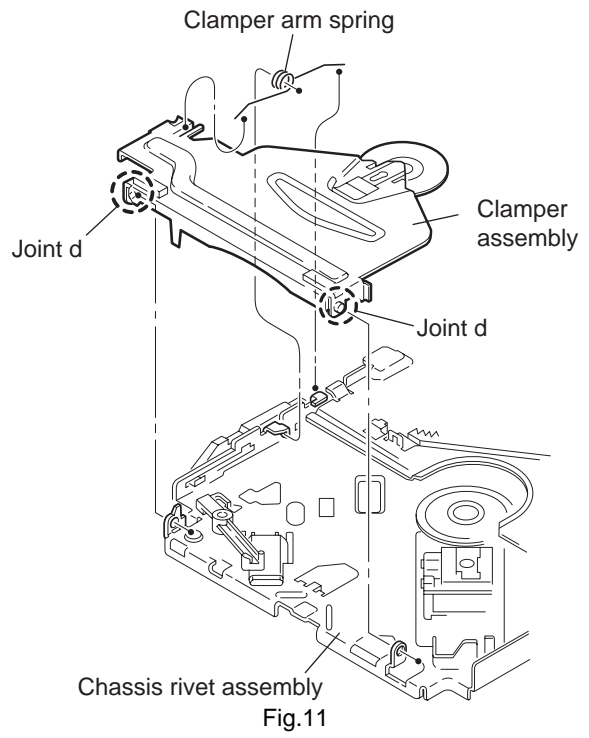
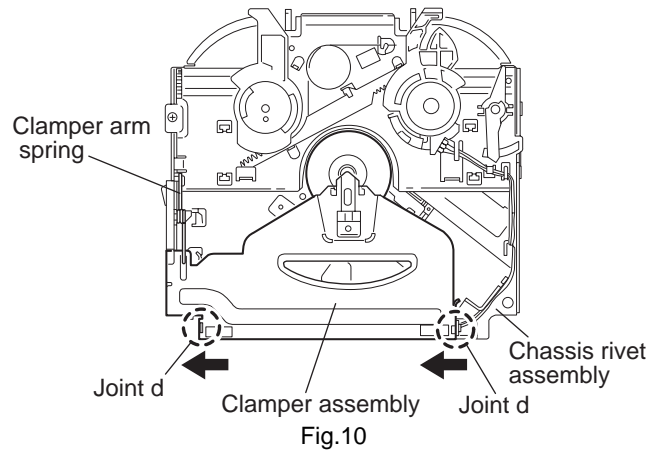


Fig.9

3.2.5 Removing the clamper assembly (See Figs.10 and 11)

- Prior to performing the following procedure, remove the top cover.
 - (1) Remove the clamper arm spring.
 - (2) Move the clamper assembly in the direction of the arrow to release the two joints **d**.

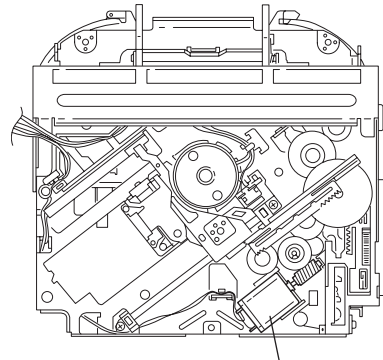


3.2.6 Removing the loading / feed motor assembly (See Figs.12 and 13)

- Prior to performing the following procedure, remove the top cover, connector board and chassis unit.
 - (1) Remove the screw **C** and move the loading / feed motor assembly in the direction of the arrow to remove it from the chassis rivet assembly.
 - (2) Disconnect the wire from the loading / feed motor assembly if necessary.

CAUTION:

When reassembling, connect the wire from the loading / feed motor assembly to the flame as shown in Fig.12.



Loading / feed motor assembly
Fig.12

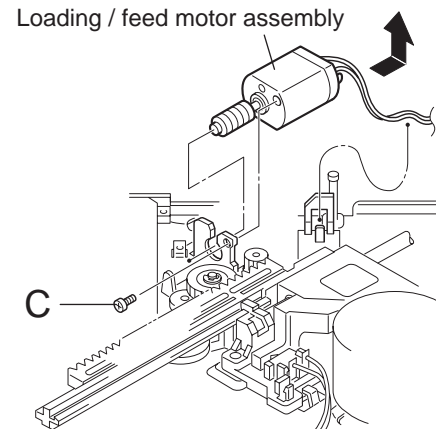


Fig.13

3.2.7 Removing the pickup unit (See Figs.14 to 18)

- Prior to performing the following procedure, remove the top cover, connector board and chassis unit.
 - (1) Remove the screw **D** and pull out the pu. shaft holder from the pu. shaft.
 - (2) Remove the screw **E** attaching the feed sw. holder.
 - (3) Move the part **e** of the pickup unit upward with the pu. shaft and the feed sw. holder, then release the joint **f** of the feed sw. holder in the direction of the arrow. The joint **g** of the pickup unit and the feed rack is released, and the feed sw. holder comes off.
 - (4) Remove the pu. shaft from the pickup unit.
 - (5) Remove the screw **F** attaching the feed rack to the pickup unit.

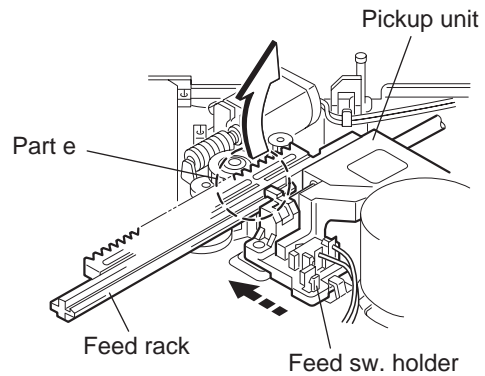


Fig.15

3.2.8 Reattaching the pickup unit (See Figs.14 to 17)

- (1) Reattach the feed rack to the pickup unit using the screw **F**.
- (2) Reattach the feed sw. holder to the feed rack while setting the joint **g** to the slot of the feed rack and setting the part **f** of the feed rack to the switch of the feed sw. holder correctly.
- (3) As the feed sw. holder is temporarily attached to the pickup unit, set to the gear of the joint **g** and to the bending part of the chassis (joint **h**) at a time.

CAUTION:

Make sure that the part **i** on the underside of the feed rack is certainly inserted to the slot **j** of the change lock lever.

- (4) Reattach the feed sw. holder using the screw **E**.
- (5) Reattach the pu. shaft to the pickup unit. Reattach the pu. shaft holder to the pu. shaft using the screw **D**.

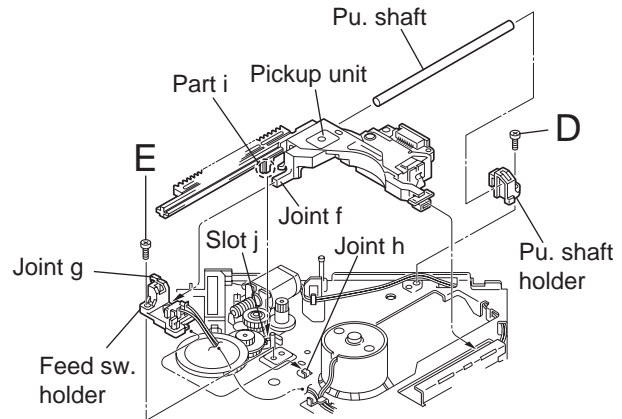


Fig.16

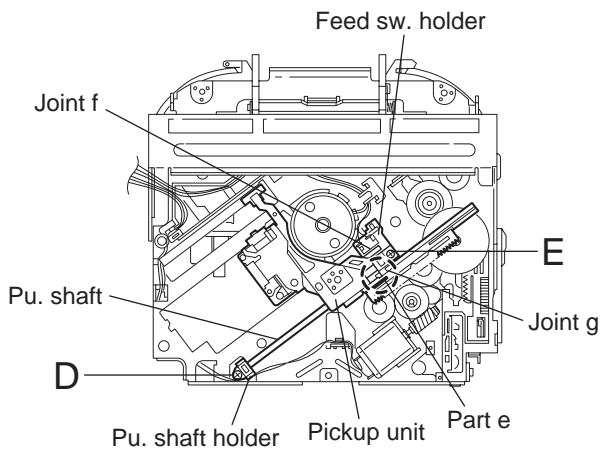


Fig.14

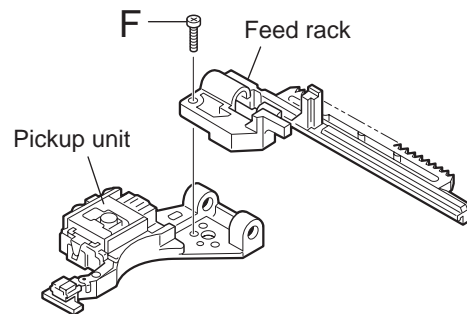


Fig.17

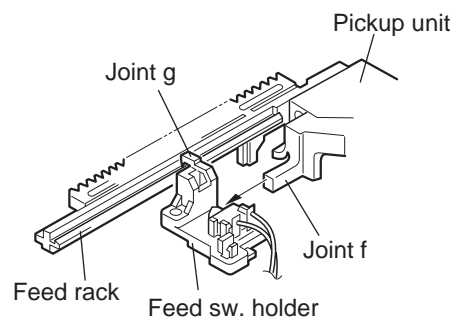


Fig.18

3.2.9 Removing the trigger arm (See Figs.19 and 20)

- Prior to performing the following procedure, remove the top cover, connector board and clamper unit.
- (1) Turn the trigger arm in the direction of the arrow to release the joint k and pull out upward.

CAUTION:

When reassembling, insert the part m and n of the trigger arm into the part p and q at the slot of the chassis rivet assembly respectively and join the joint k at a time.

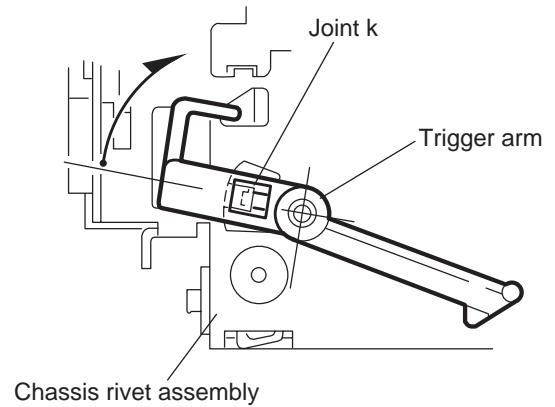


Fig.19

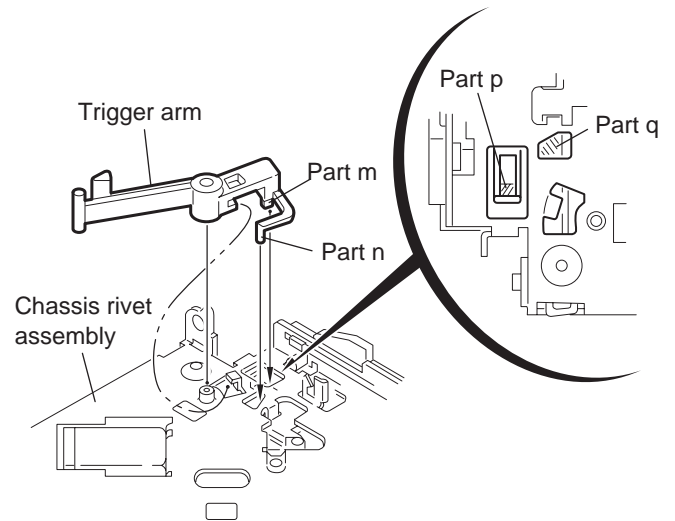


Fig.20

3.2.10 Removing the top plate assembly (See Fig.21)

- Prior to performing the following procedure, remove the top cover, connector board, chassis unit, and clamper assembly.
- (1) Remove the screw H.
- (2) Move the top plate assembly in the direction of the arrow to release the two joints r.
- (3) Unsolder the wire marked s if necessary.

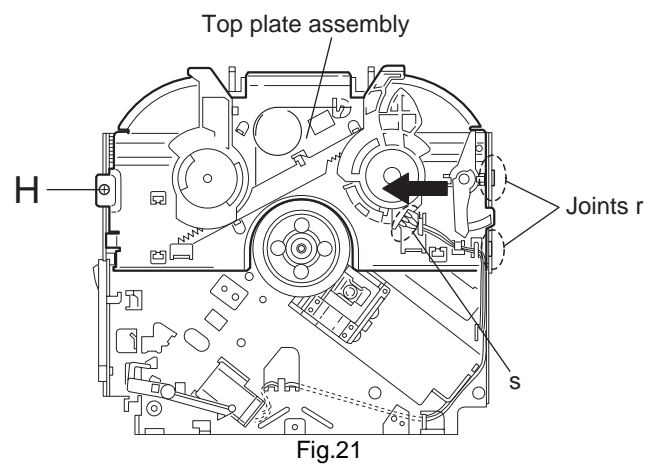


Fig.21

3.2.11 Removing the mode sw. / select lock arm (See Figs.22 and 23)

- Prior to performing the following procedure, remove the top plate assembly.
 - (1) Bring up the mode sw. to release from the link plate (joint **t**) and turn in the direction of the arrow to release the joint **u**.
 - (2) Unsolder the wire of the mode sw. marked **s** if necessary.
 - (3) Turn the select lock arm in the direction of the arrow to release the two joints **v**.
 - (4) The select lock arm spring comes off the select lock arm at the same time.

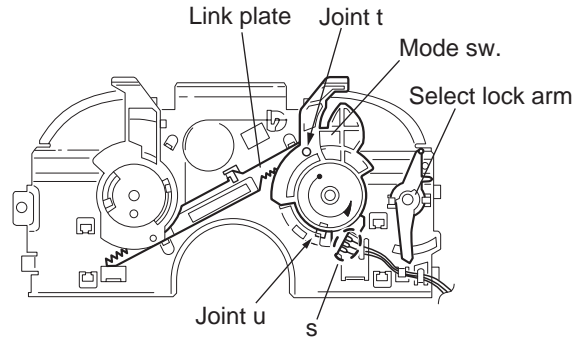


Fig.22

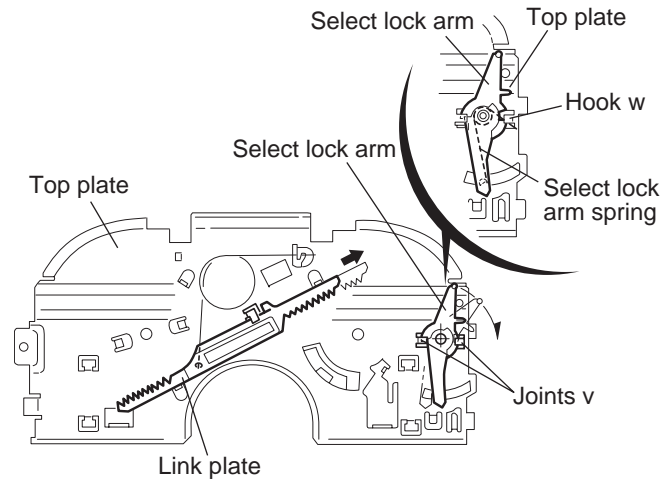


Fig.23

3.2.12 Reassembling the mode sw. / select lock arm (See Figs.24 to 26)

REFERENCE:

Reverse the above removing procedure.

- (1) Reattach the select lock arm spring to the top plate and set the shorter end of the select lock arm spring to the hook w on the top plate.
- (2) Set the other longer end of the select lock arm spring to the boss x on the underside of the select lock arm, and join the select lock arm to the slots (joint v). Turn the select lock arm as shown in the figure.
- (3) Reattach the mode sw. while setting the part t to the first peak of the link plate gear, and join the joint u.

CAUTION:

When reattaching the mode sw., check if the points y and z are correctly fitted and if each part operates properly.

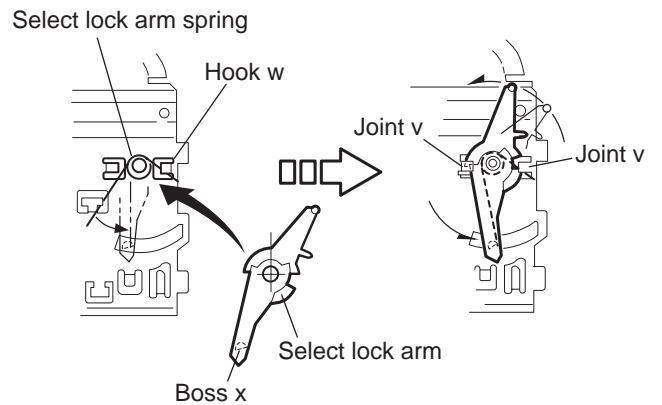


Fig.24

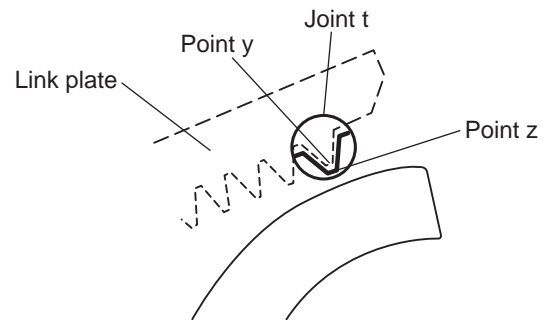


Fig.25

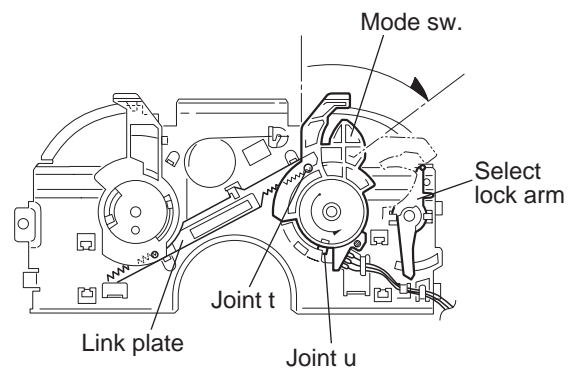


Fig.26

3.2.13 Removing the select arm R / link plate
(See Figs.27 and 28)

- Prior to performing the following procedure, remove the top plate assembly.

(1) Bring up the select arm R to release from the link plate (joint a') and turn as shown in the figure to release the two joints b' and joint c'.

(2) Move the link plate in the direction of the arrow to release the joint d'. Remove the link plate spring at the same time.

REFERENCE:

Before removing the link plate, remove the mode sw..

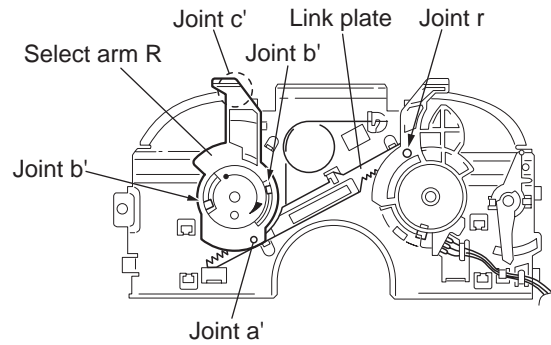


Fig.27

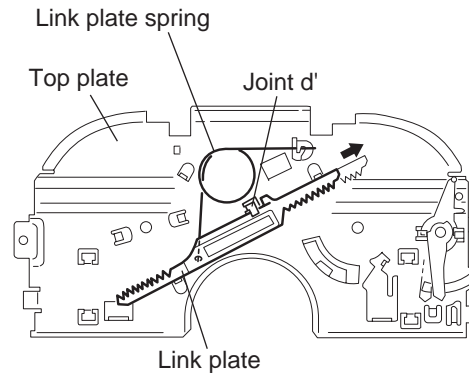


Fig.28

3.2.14 Reattaching the Select arm R / link plate
(See Figs.29 and 30)

REFERENCE:

Reverse the above removing procedure.

- (1) Reattach the link plate spring.
- (2) Reattach the link plate to the link plate spring while joining them at joint d'.
- (3) Reattach the joint a' of the select arm R to the first peak of the link plate while joining the two joints b' with the slots. Then turn the select arm R as shown in the figure. The top plate is joined to the joint c'.

CAUTION:

When reattaching the select arm R, check if the points e' and f' are correctly fitted and if each part operates properly.

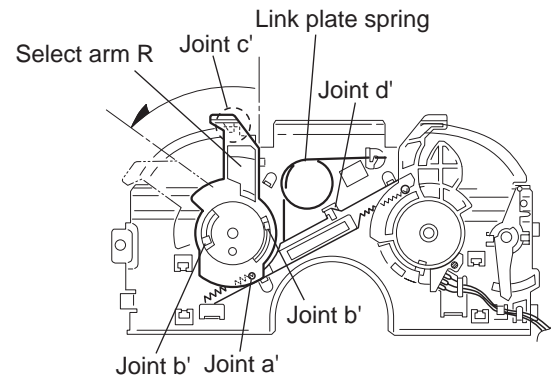


Fig.29

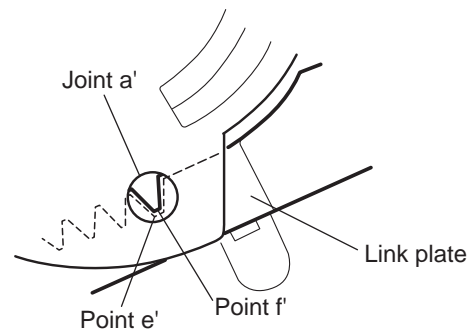


Fig.30

3.2.15 Removing the loading roller assembly
(See Figs.31 to 33)

• Prior to performing the following procedure, remove the clamber assembly and top plate assembly.

- (1) Push inward the loading roller assembly on the gear side and detach it upward from the slot of the joint **g'** of the lock arm rivet assembly.
- (2) Detach the loading roller assembly from the slot of the joint **h'** of the lock arm rivet assembly.

The roller guide comes off the gear section of the loading roller assembly.

Remove the roller guide and the HL washer from the shaft of the loading roller assembly.

- (3) Remove the screw **J** attaching the lock arm rivet assembly.
- (4) Push the shaft at the joint **i'** of the lock arm rivet assembly inward to release the lock arm rivet assembly from the slot of the L side plate.
- (5) Extend the lock arm rivet assembly outward and release the joint **j'** from the boss of the chassis rivet assembly. The roller guide springs on both sides come off at the same time.

CAUTION:

When reassembling, reattach the left and right roller guide springs to the lock arm rivet assembly before reattaching the lock arm rivet assembly to the chassis rivet assembly. Make sure to fit the part **k'** of the roller guide spring inside of the roller guide. (Refer to Fig.34.)

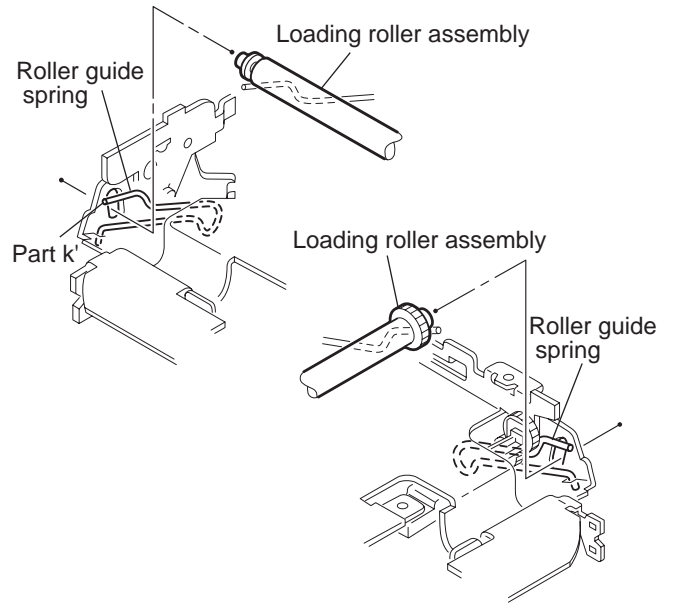


Fig.32

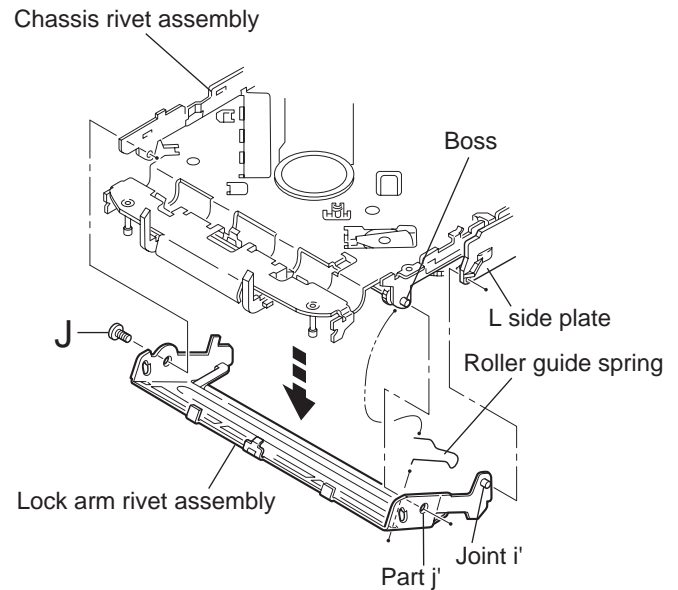


Fig.33

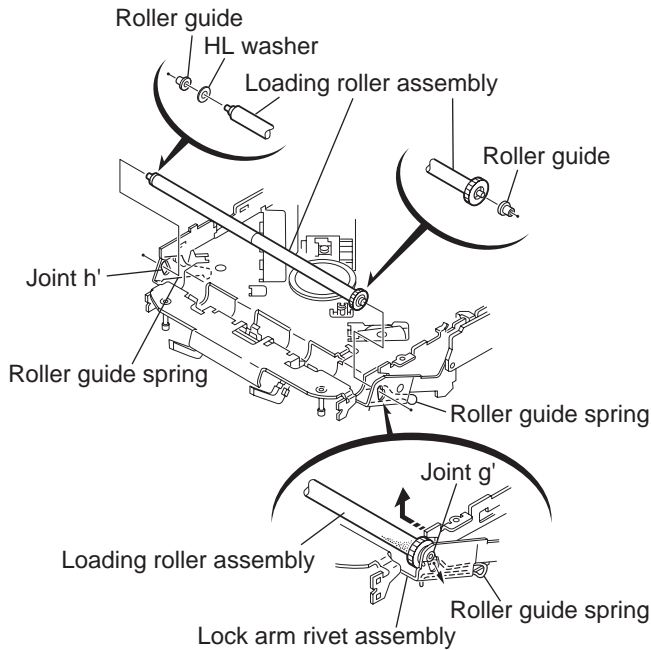


Fig.31

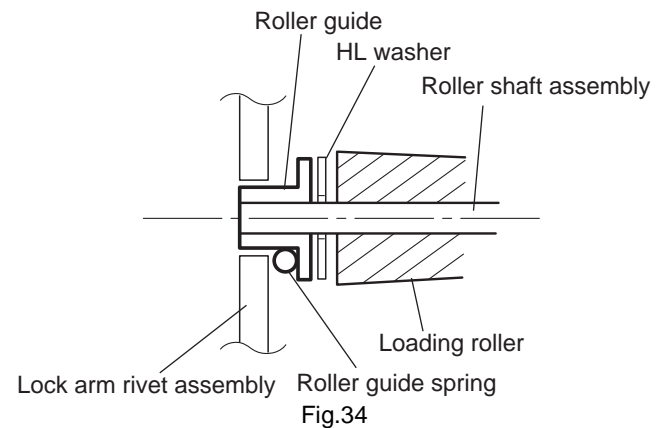
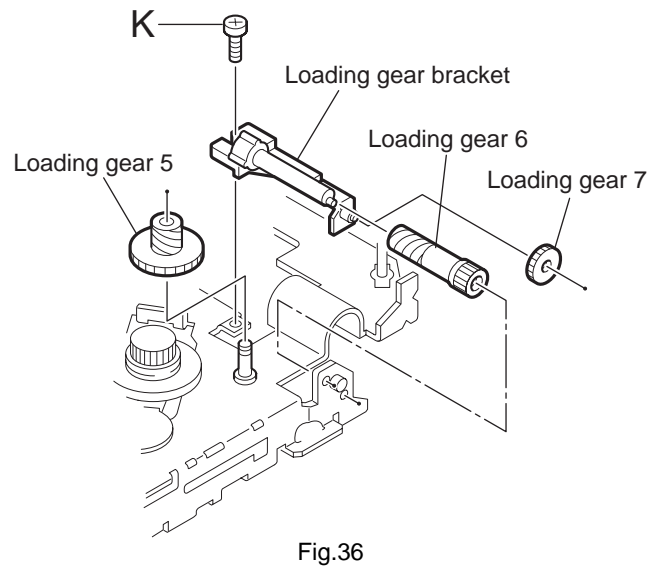
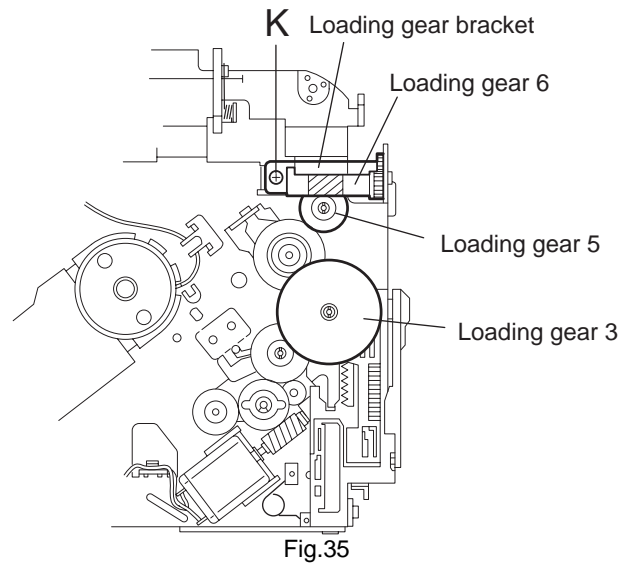


Fig.34

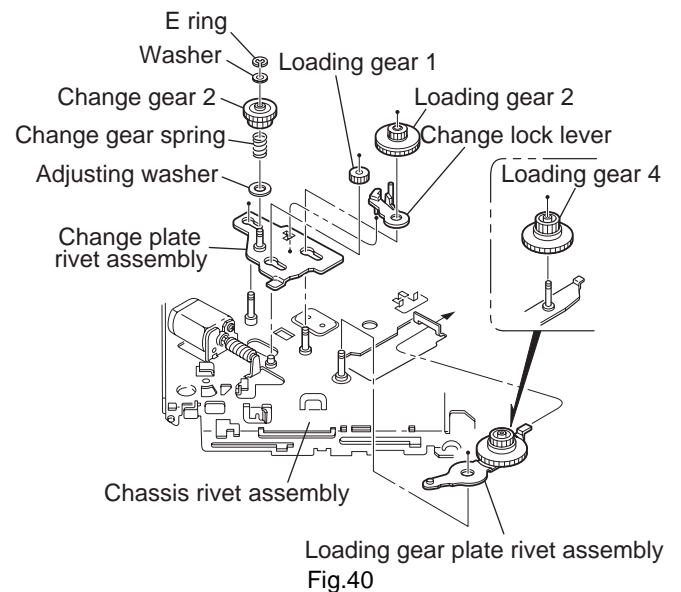
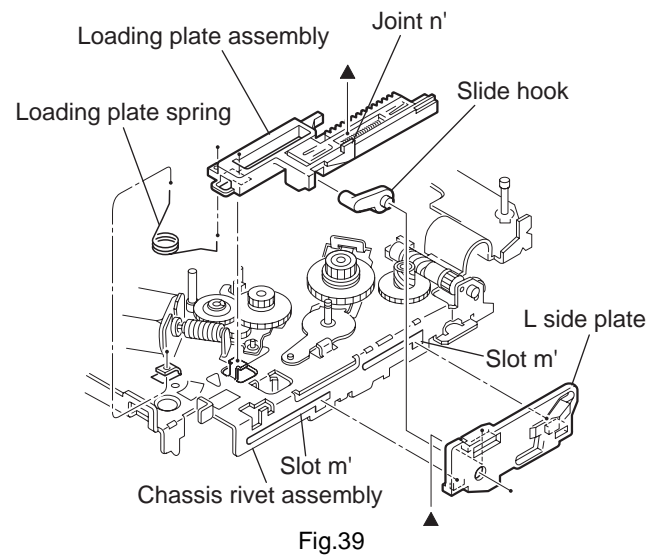
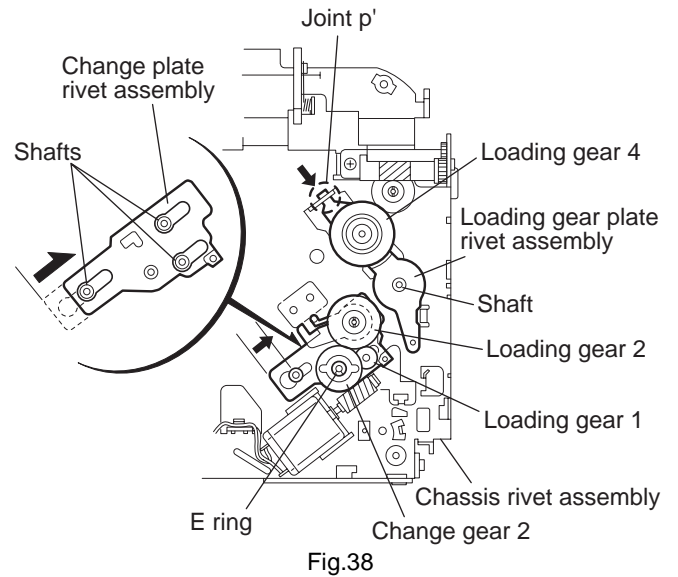
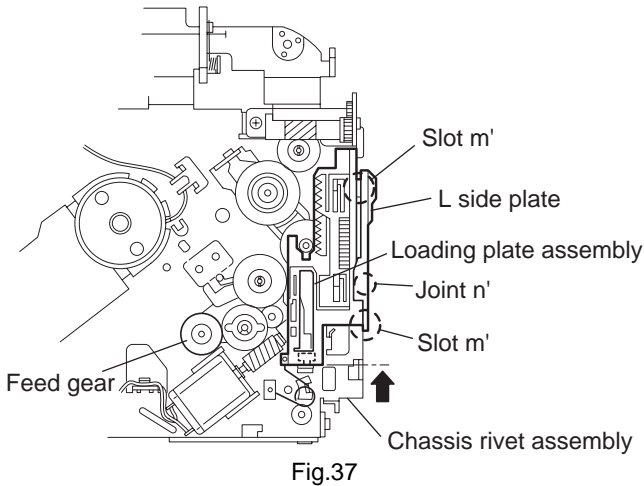
3.2.16 Removing the loading gear 5, 6 and 7 (See Figs.35 and 36)

- Prior to performing the following procedure, remove the top cover, chassis unit, pickup unit and top plate assembly.
 - (1) Remove the screw **K** attaching the loading gear bracket.
The loading gear 6 and 7 come off the loading gear bracket.
 - (2) Pull out the loading gear 5.



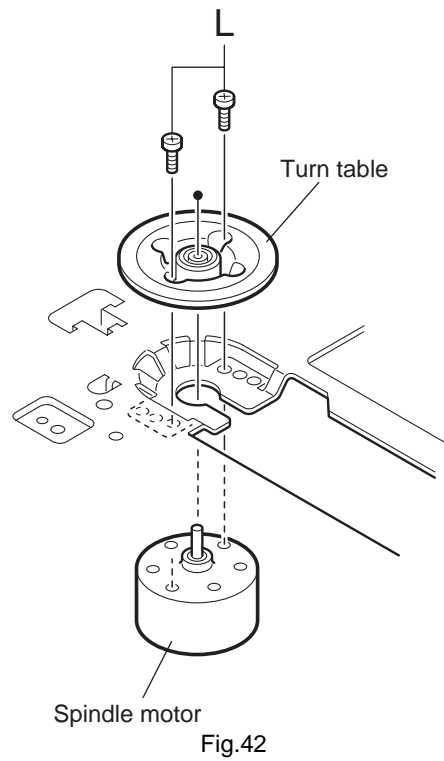
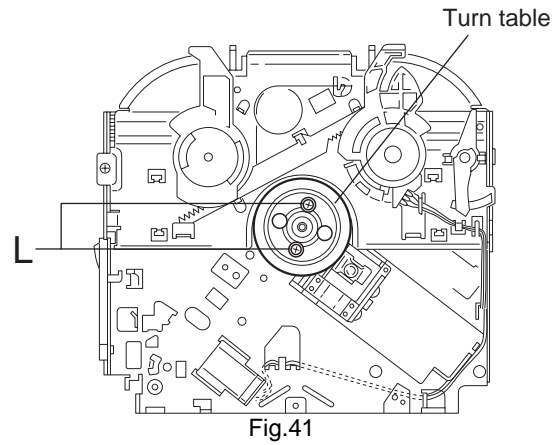
3.2.17 Removing the gears (See Figs.37 to 40)

- Prior to performing the following procedure, remove the top cover, chassis unit, top plate assembly and pickup unit.
- Pull out the loading gear 3. (See Fig.35.)
 - (1) Pull out the feed gear.
 - (2) Move the loading plate assembly in the direction of the arrow to release the L side plate from the two slots m' of the chassis rivet assembly. (See Fig.37.)
 - (3) Detach the loading plate assembly upward from the chassis rivet assembly while releasing the joint n'. Remove the slide hook and loading plate spring from the loading plate assembly.
 - (4) Pull out the loading gear 2 and remove the change lock lever.
 - (5) Remove the E ring and washer attaching the changer gear 2.
 - (6) The changer gear 2, change gear spring and adjusting washer come off.
 - (7) Remove the loading gear 1.
 - (8) Move the change plate rivet assembly in the direction of the arrow to release from the three shafts of the chassis rivet assembly upward. (See Fig.38.)
 - (9) Detach the loading gear plate rivet assembly from the shaft of the chassis rivet assembly upward while releasing the joint p'. (See Figs.38 and 40.)
 - (10) Pull out the loading gear 4.



3.2.18 Removing the turn table / spindle motor (See Figs.41 and 42)

- Prior to performing the following procedure, remove the top cover, connector board, chassis unit and clamper assembly.
 - (1) Remove the two screws **L** attaching the spindle motor assembly through the slot of the turn table on top of the body.
 - (2) Unsolder the wire on the connector board if necessary.



SECTION 4 ADJUSTMENT

4.1 Adjustment method

■ Test instruments required for adjustment

- (1) Digital oscilloscope (100MHz)
- (2) AM Standard signal generator
- (3) FM Standard signal generator
- (4) Stereo modulator
- (5) Electric voltmeter
- (6) Digital tester
- (7) Tracking offset meter
- (8) Test Disc JVC :CTS-1000
- (9) Extension cable for check
EXTSH002-22P × 1

■ Standard volume position

Balance and Bass & Treble volume : Indication "0"
Loudness : OFF

■ How to connect the extension cable for adjusting

Caution:

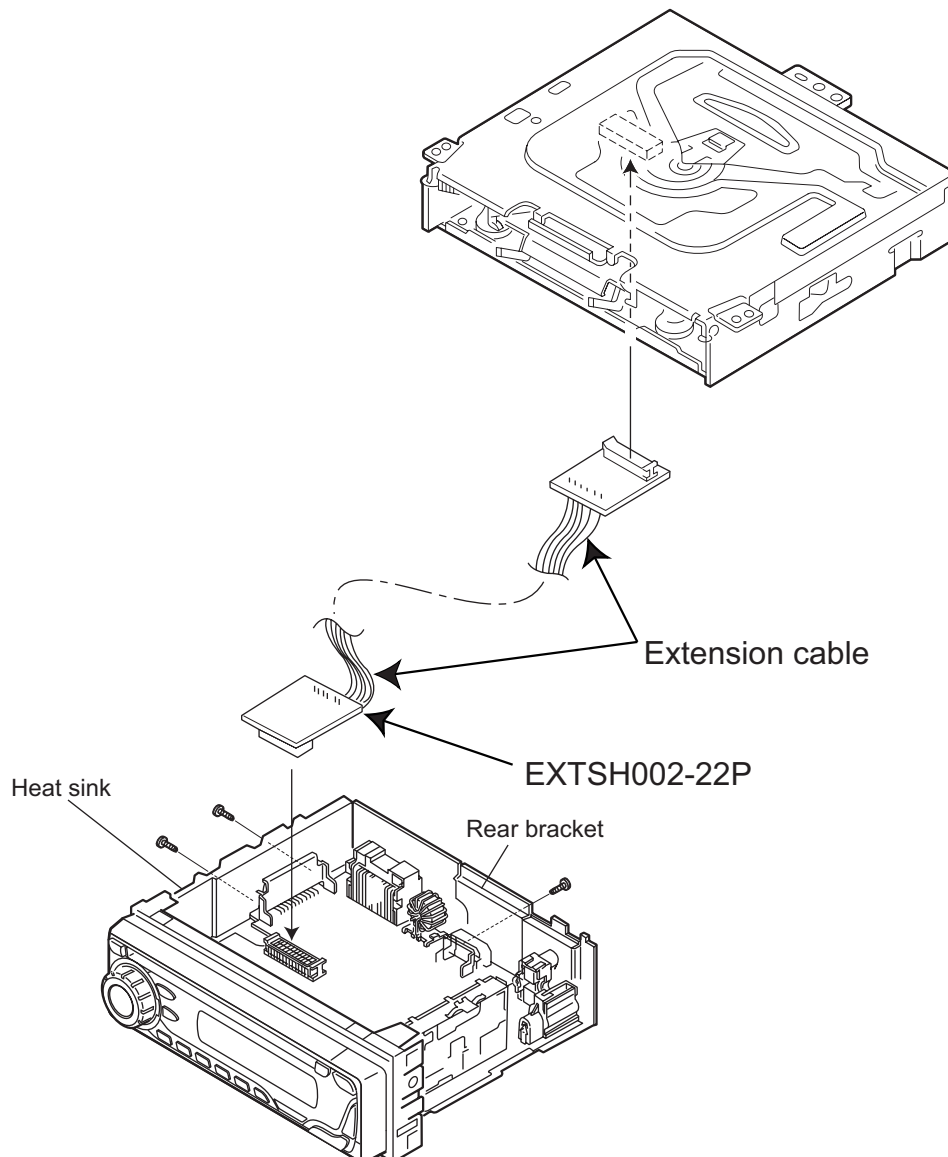
Be sure to attach the heat sink and rear bracket onto the power amplifier IC and regulator IC respectively, before supply the power. If voltage is applied without attaching these parts, the power amplifier IC and regulator IC will be destroyed by heat.

■ Standard measuring conditions

Power supply voltage	DC14.4V(10.5 to 16V)
Load impedance	20K Ω (2 Speakers connection)
Output Level	Line out 2.0V (Vol. MAX)

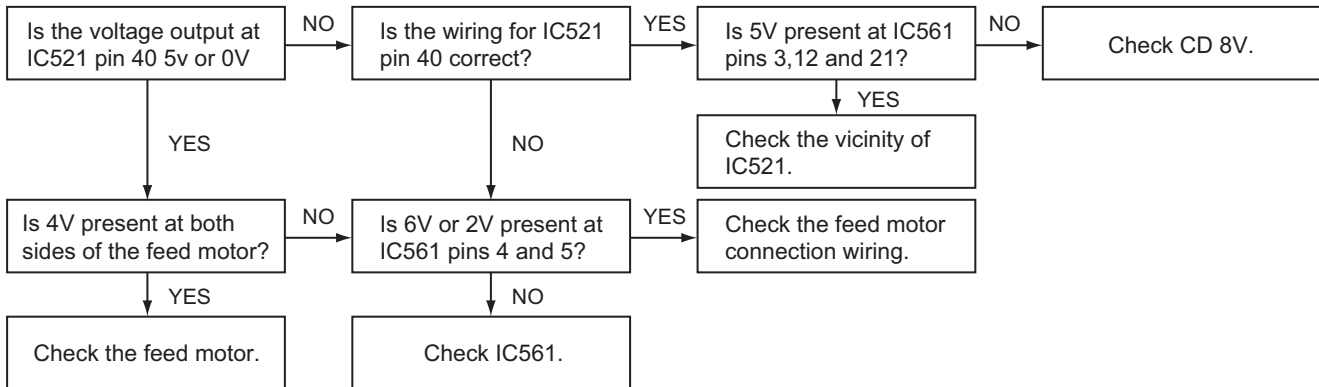
■ Dummy load

Exclusive dummy load should be used for AM, and FM. For FM dummy load, there is a loss of 6dB between SSG output and antenna input. The loss of 6dB need not be considered since direct reading of figures are applied in this working standard.

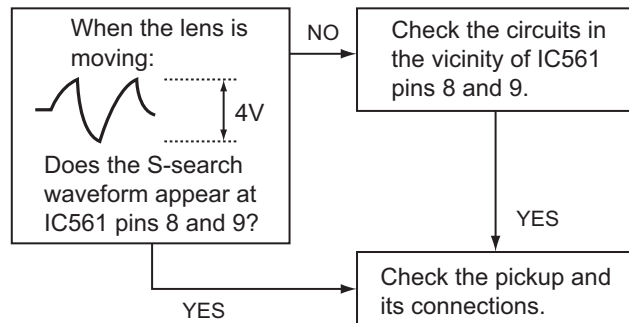


SECTION 5 TROUBLE SHOOTING

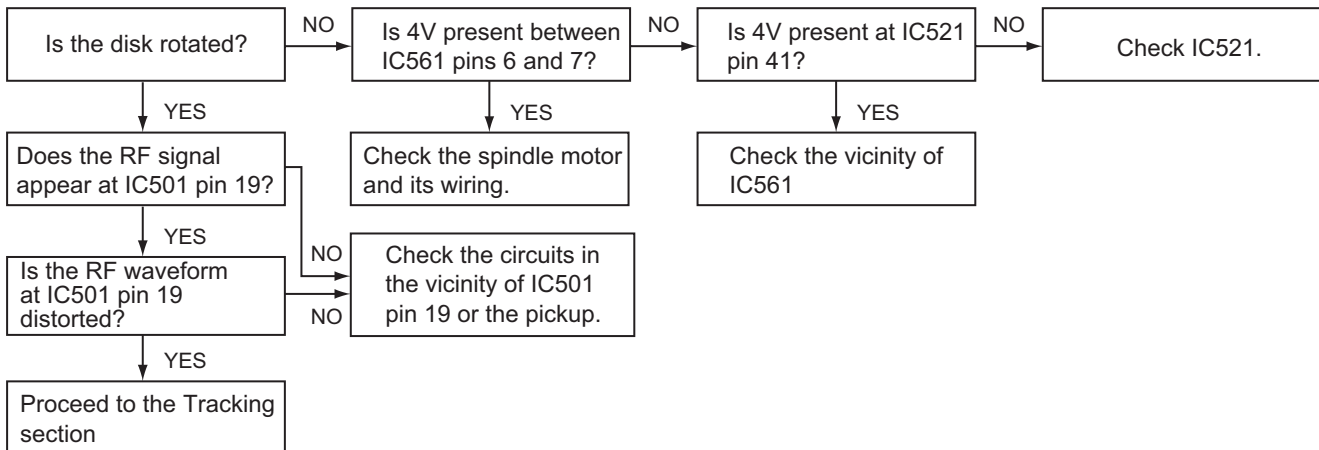
5.1 Feed section



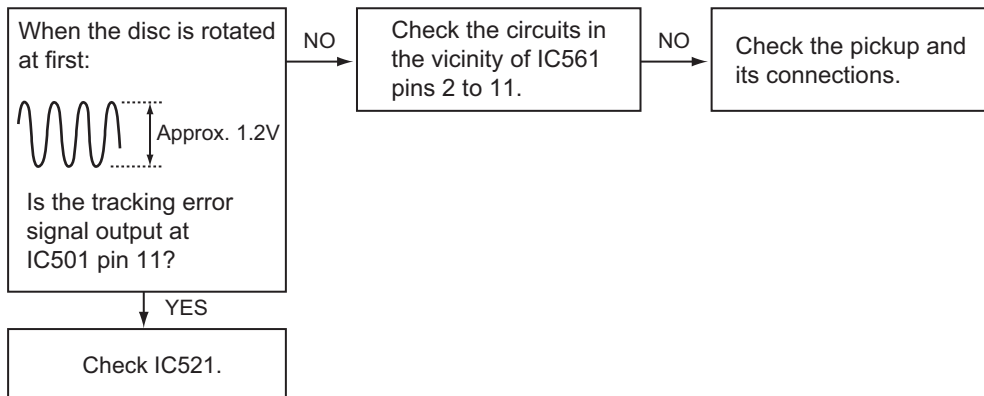
5.2 Focus section



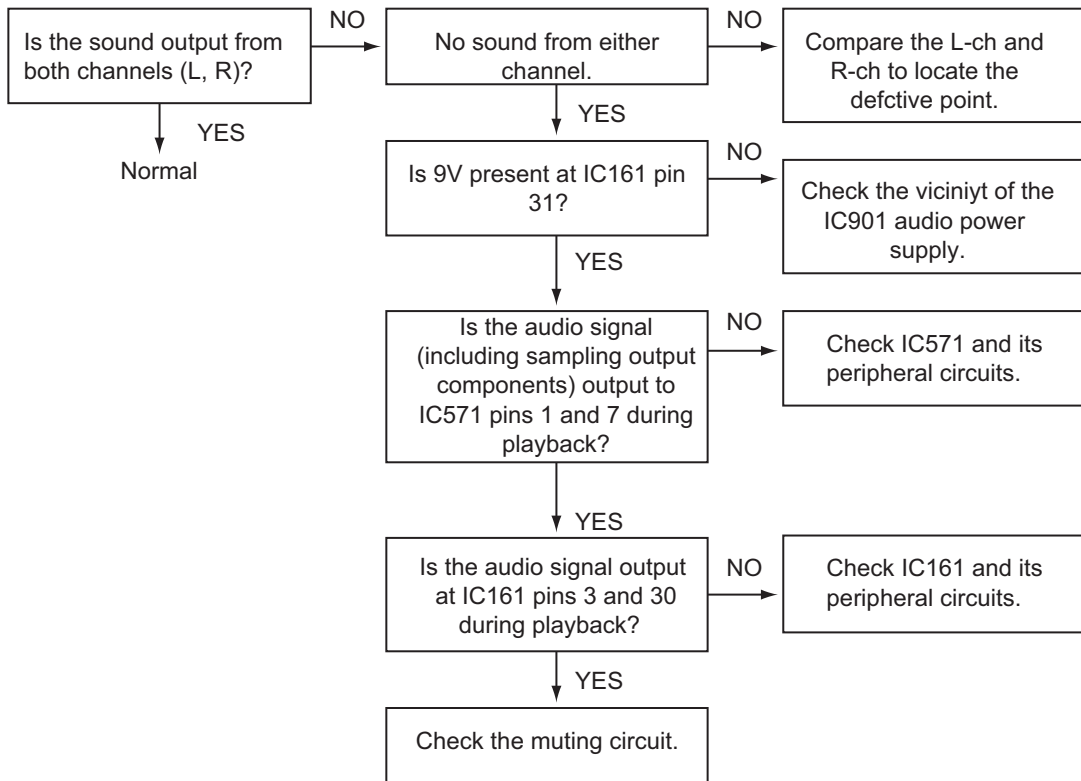
5.3 Spindle section



5.4 Tracking section



5.5 Signal processing section



5.6 Maintenance of laser pickup

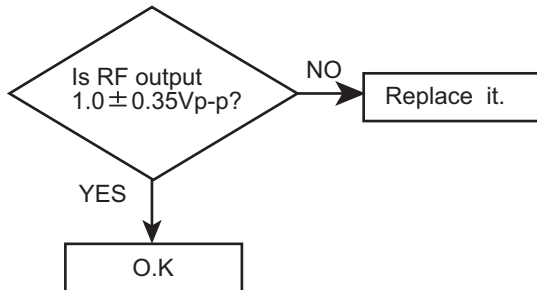
(1) Cleaning the pick up lens

Before you replace the pick up, please try to clean the lens with a alcohol soaked cotton swab.

(2) Life of the laser diode

When the life of the laser diode has expired, the following symptoms will appear.

- The level of RF output (EFM output: amplitude of eye pattern) will be low.

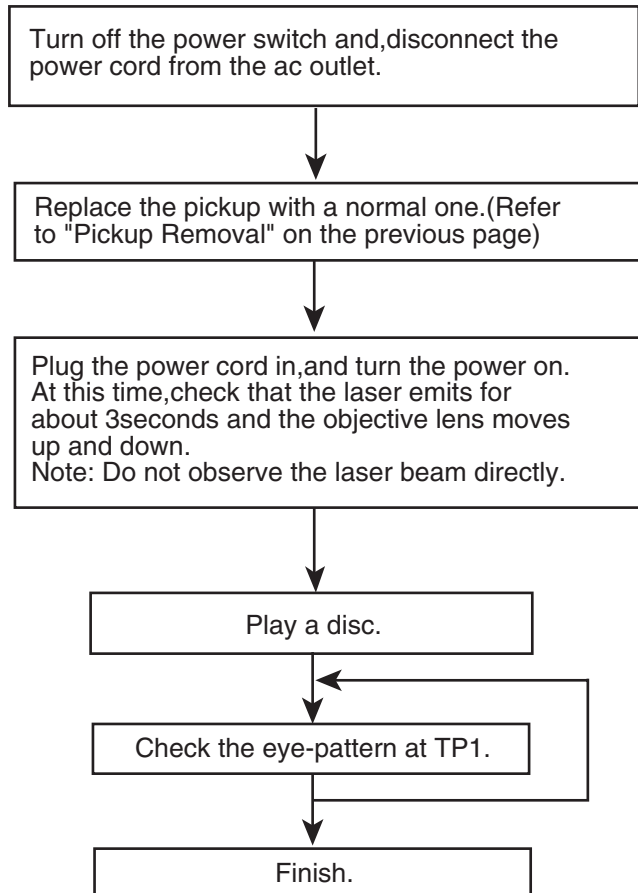


(3) Semi-fixed resistor on the APC PC board

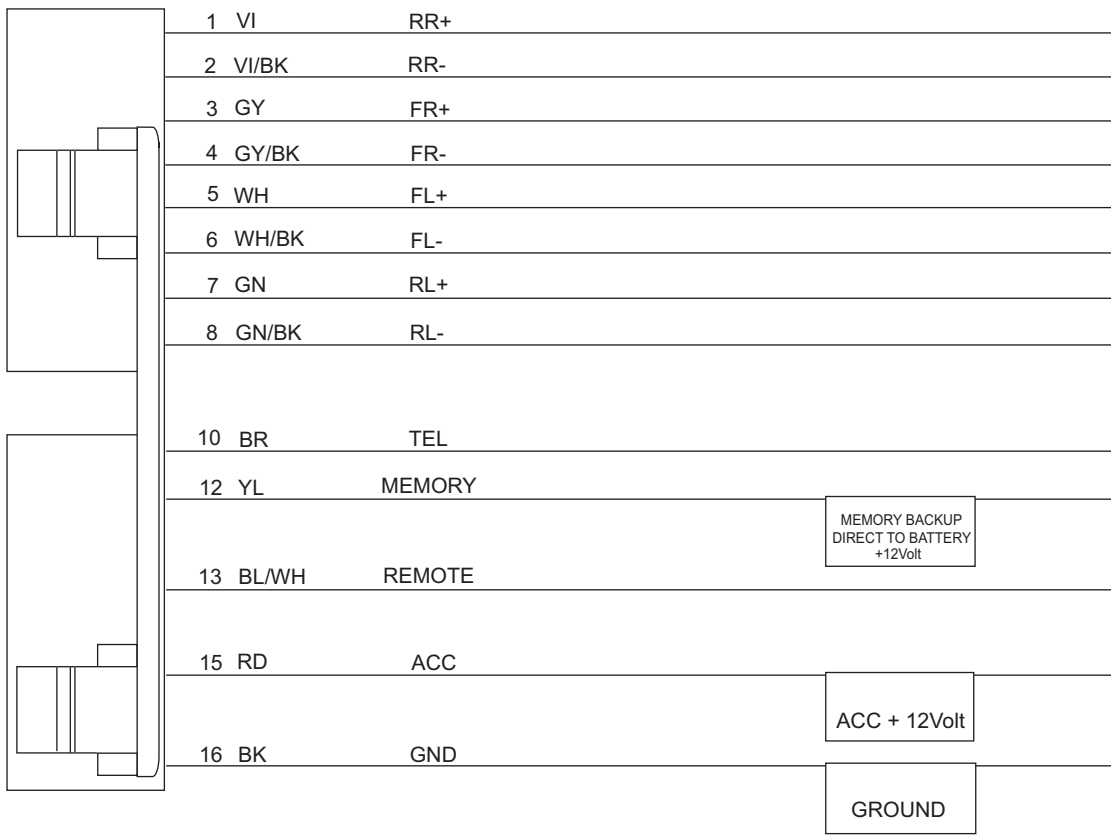
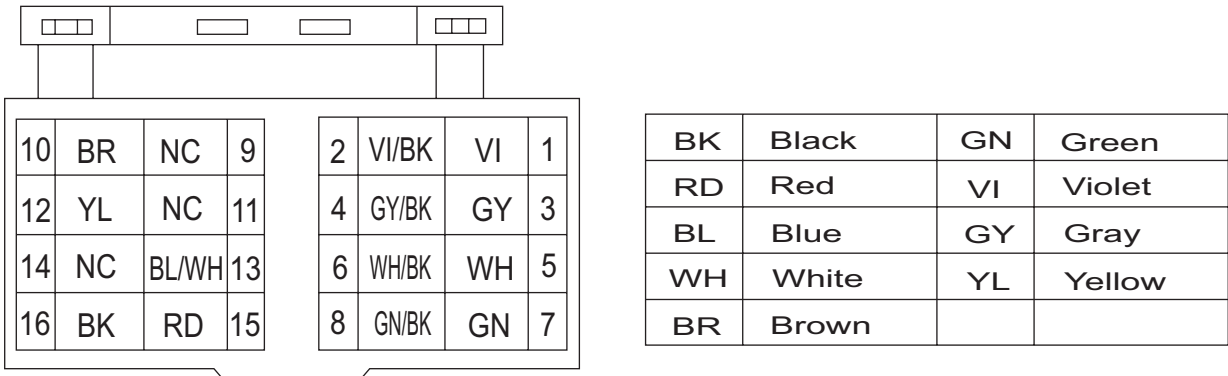
The semi-fixed resistor on the APC printed circuit board which is attached to the pickup is used to adjust the laser power. Since this adjustment should be performed to match the characteristics of the whole optical block, do not touch the semi-fixed resistor.

If the laser power is lower than the specified value, the laser diode is almost worn out, and the laser pickup should be replaced. If the semi-fixed resistor is adjusted while the pickup is functioning normally, the laser pickup may be damaged due to excessive current.

5.7 Replacement of laser pickup



5.8 16 PIN CODE DIAGRAM



RR	Rear Right	ANT	Auto Antenna
FR	Front Right	ACC	ACC Line
FL	Front Left	TEL	Telephone Muting
RL	Rear Left	GND	Ground
REMOTE	Remote	MEMORY	Memory Backup Battery+

JVC

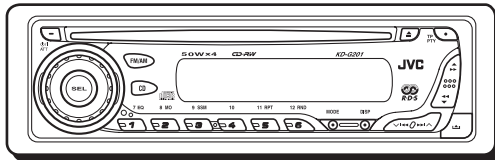
SCHEMATIC DIAGRAMS

CD RECEIVER

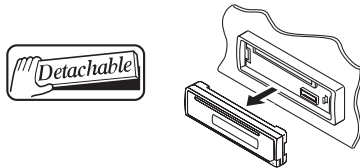
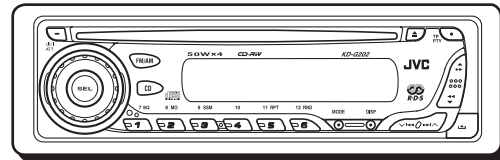
KD-G201, KD-G202, KD-G207

CD-ROM No.SML200401

KD-G201



KD-G202

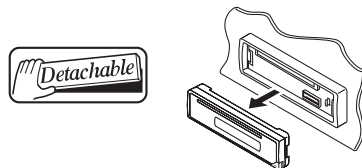
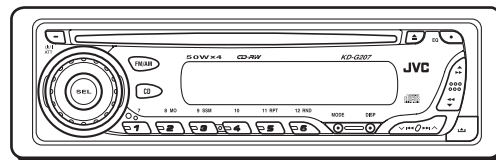


KD-G201, KD-G202

Area suffix

E ----- Continental Europe
EX ----- Central Europe

KD-G207



KD-G207

Area suffix

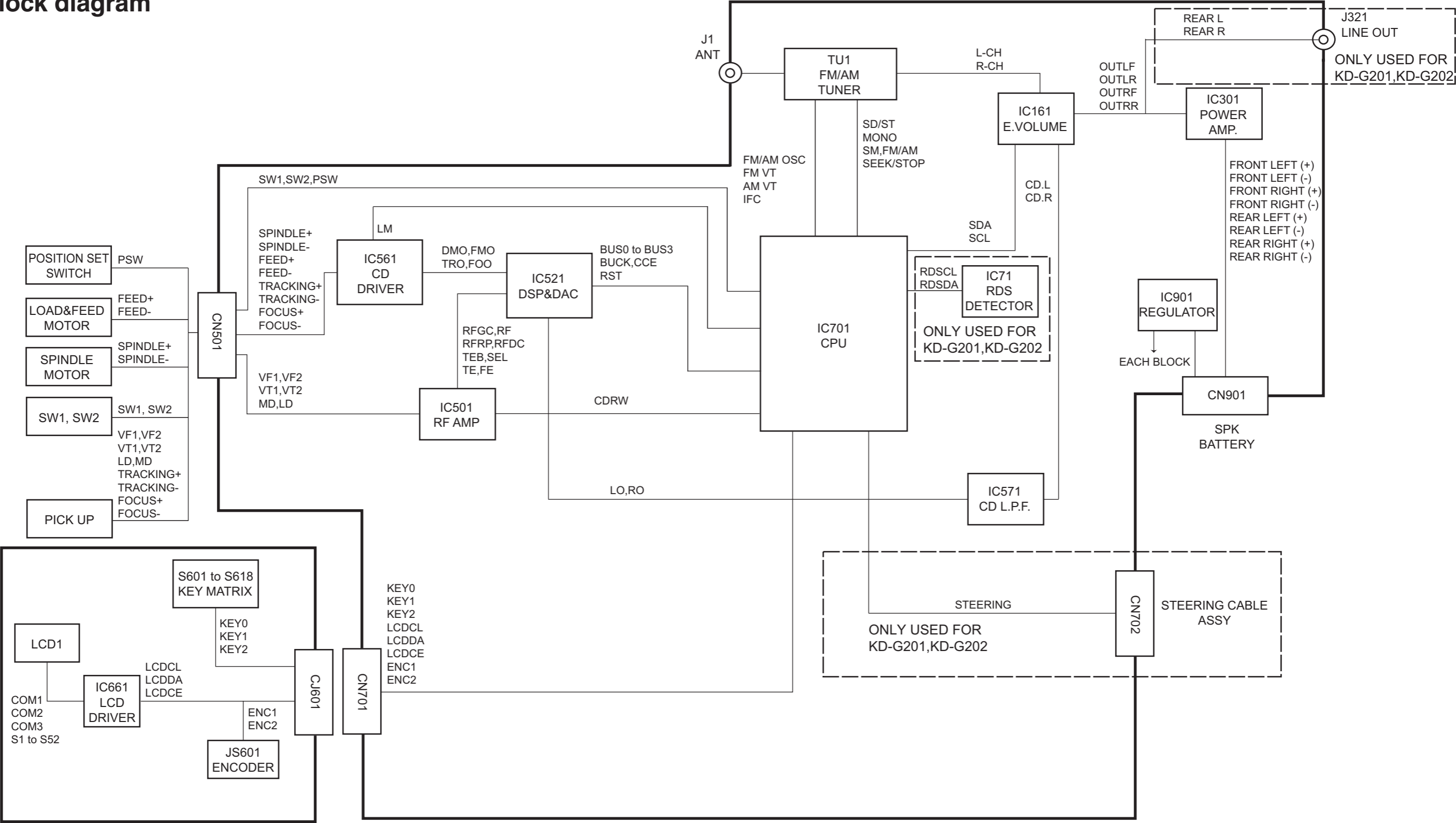
EE ----- Russian Federation

	KD-G201 E	KD-G202 E/EX	KD-G207 EE/EX
STEERING CABLE	○	○	×
RDS	○	○	×
LINE OUT	○	○	×

Contents

Block diagram 2-1
 Standard schematic diagrams 2-2 to 7
 Printed circuit boards 2-8, 9

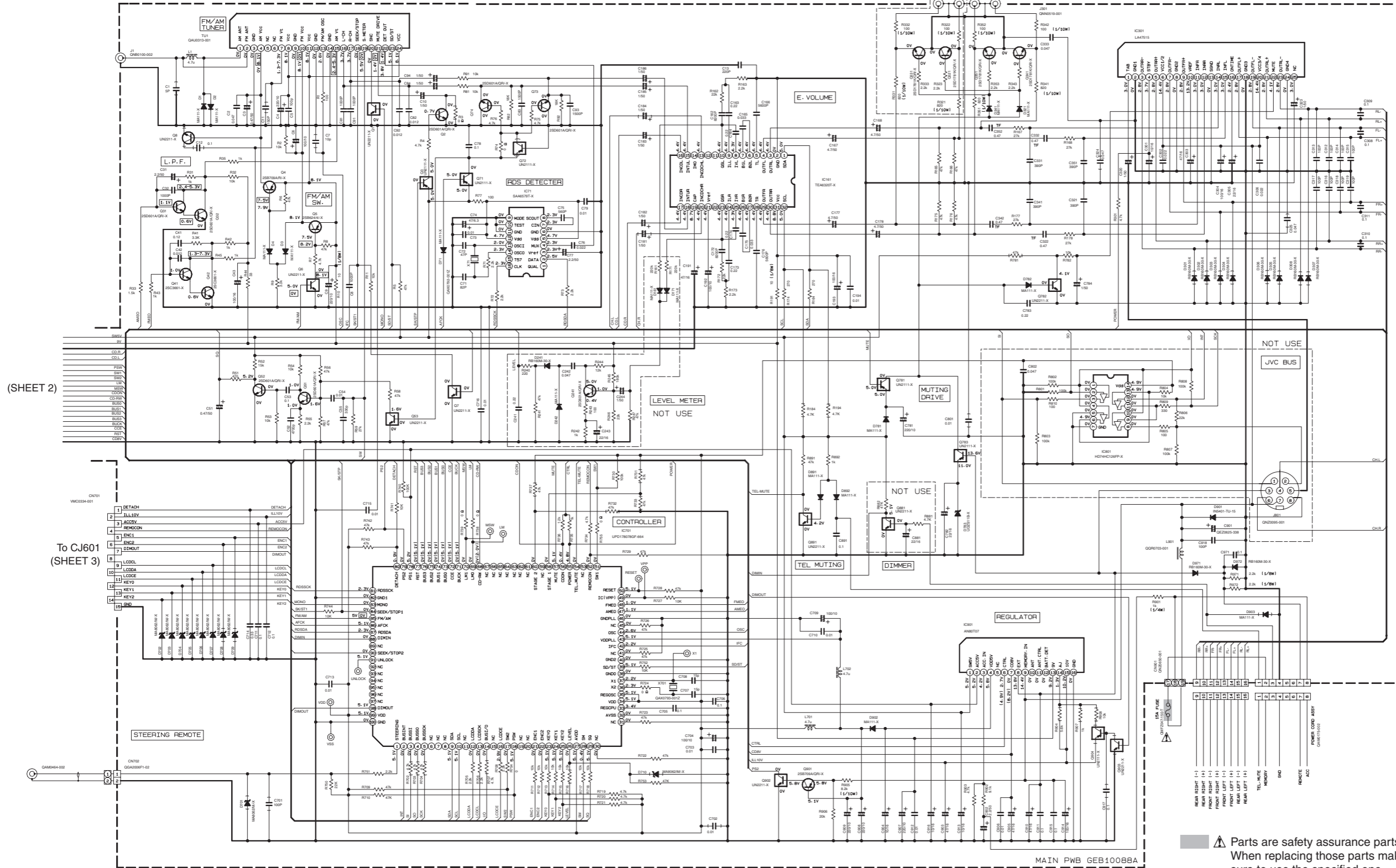
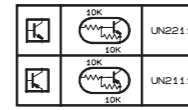
Block diagram



Standard schematic diagrams

■ Main amplifier section (KD-G201, KD-G202)

- NOTES
1. VOLTAGES ARE DC-MEASURED WITH A DIGITAL VOLT METER WITHOUT INPUT SIGNAL CONDITION—FM MODE. () CD MODE.
 2. UNLESS OTHERWISE SPECIFIED, ALL RESISTORS ARE 1/16W ± 5% METAL GLAZE RESISTOR. ALL CAPACITORS ARE 50V OR 25V CERAMIC CAPACITOR. ALL RESISTANCE VALUES ARE IN OHM. ALL CAPACITANCE VALUES ARE IN UF(±10%). ALL E-CAPACITORS ARE SHOWN IN THE FORM OF CAPACITANCE(UF)/RATED VOLTAGE(V) TF — T.F. CAPACITOR.
 3. COMPONENTS IN () INDICATE NOT USE.



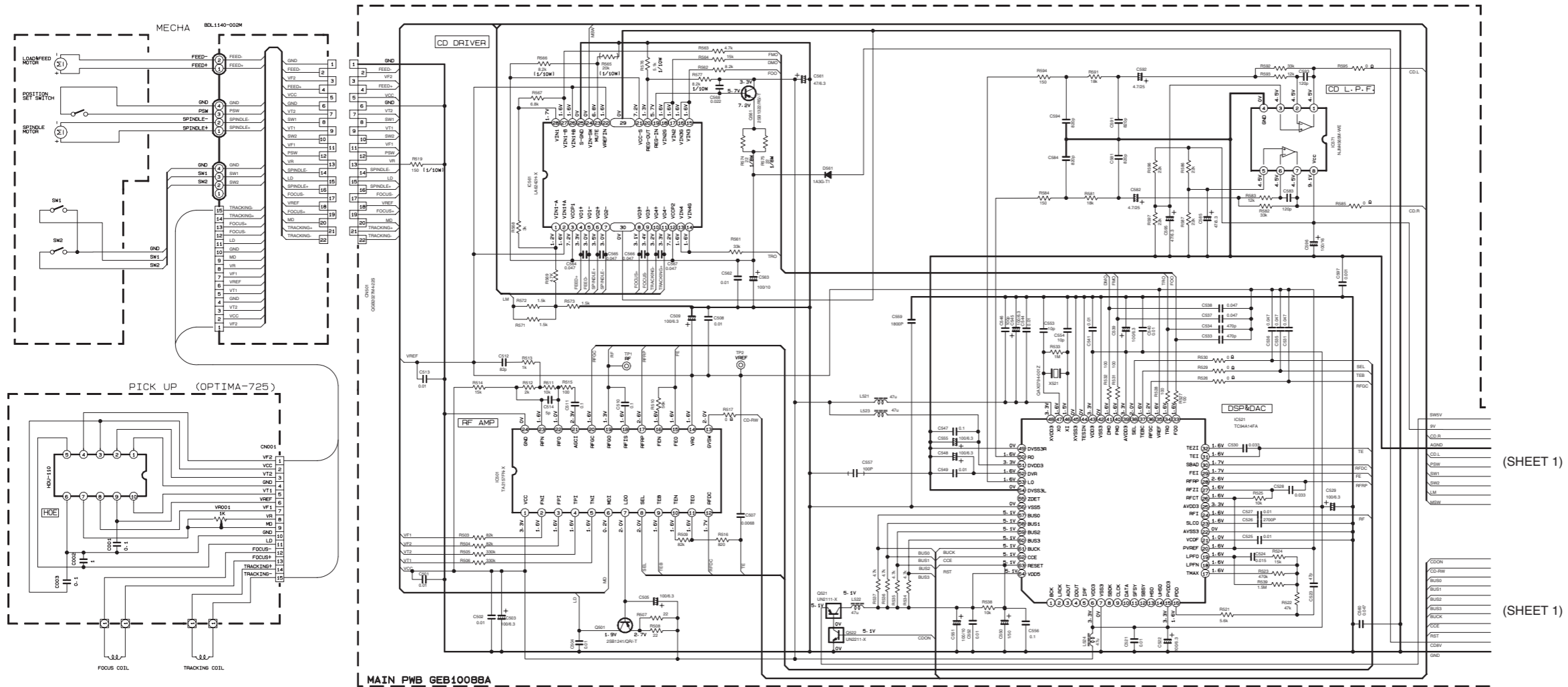
⚠ Parts are safety assurance parts. When replacing those parts make sure to use the specified one.

MAIN PWB GEB1008BA

(SHEET 2)

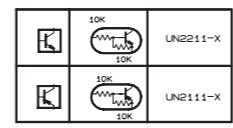
To CJ601 (SHEET 3)

■ CD servo section (KD-G201, KD-G202)



(SHEET 1)

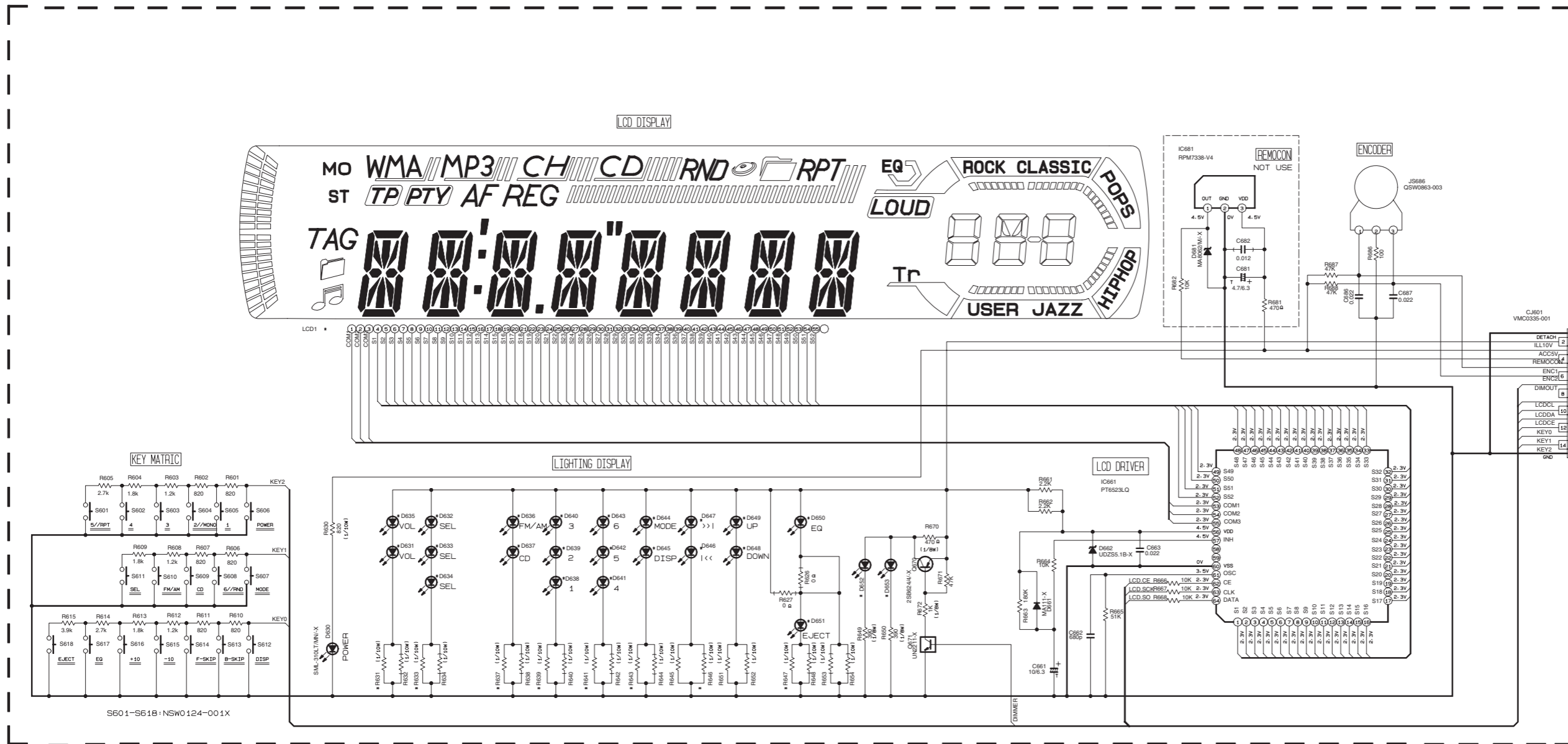
(SHEET 1)



NOTES

- VOLTAGES ARE DC-MEASURED WITH A DIGITAL VOLT METER WITHOUT INPUT SIGNAL CONDITION — CD MODE.
- UNLESS OTHERWISE SPECIFIED:
ALL RESISTORS ARE 1/16W ± 5% METAL GLAZE RESISTOR.
ALL CAPACITORS ARE 50V OR 25V CERAMIC CAPACITOR.
ALL RESISTANCE VALUES ARE IN OHM.
ALL CAPACITANCE VALUES ARE IN UF (PpF)
ALL E-CAPACITORS ARE SHOWN IN THE FORM OF CAPACITANCE(UF)/RATED VOLTAGE(V)

■ LCD & Key control section (KD-G201, KD-G202)

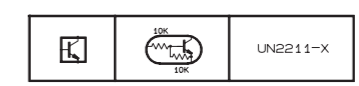


To CN701
(SHEET 1)

SW PWB: GEB10100A

*REMARKS

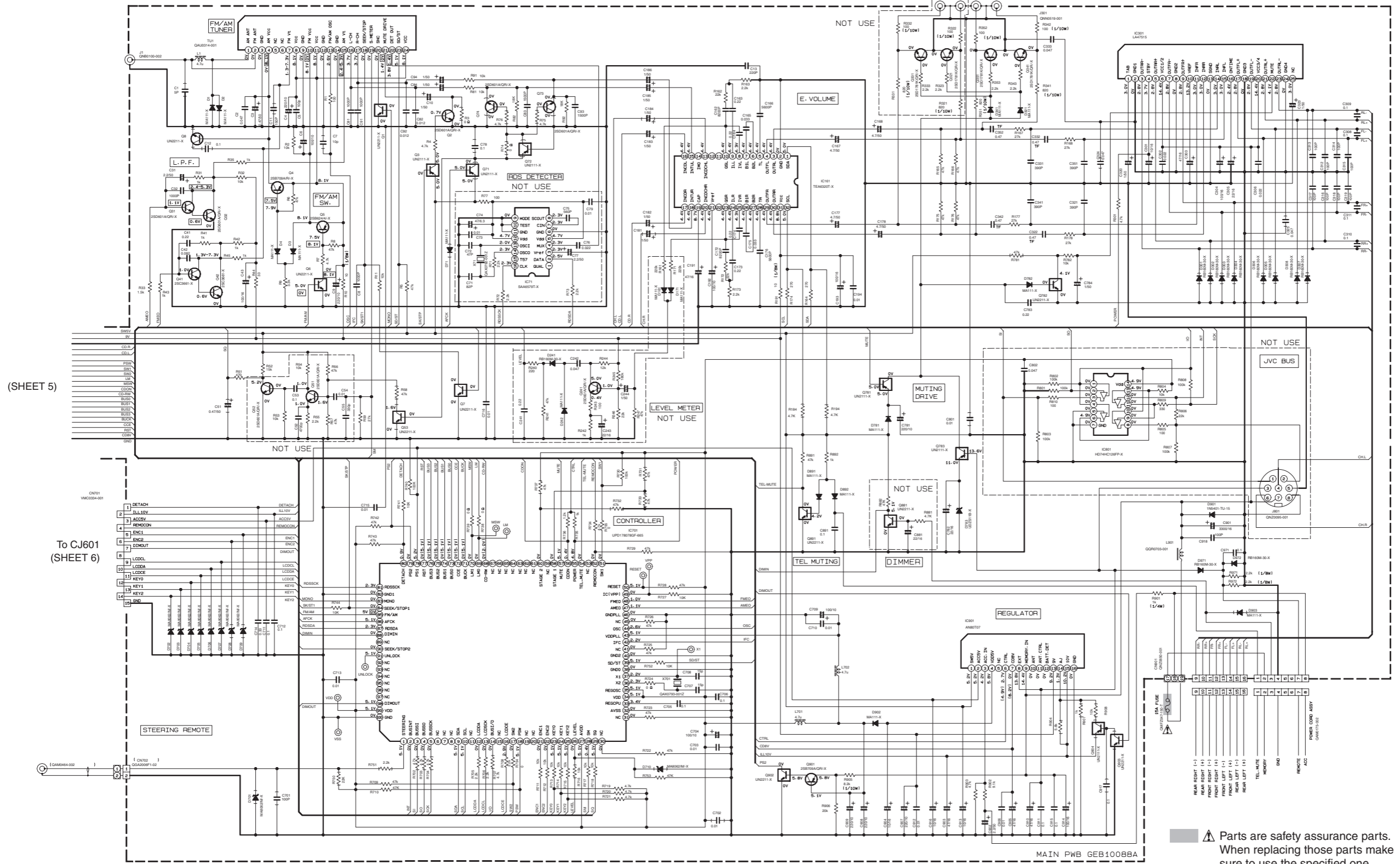
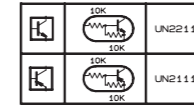
	MODEL	KD-G201E	KD-G202E
	LCD1	QLD0289-001	QLD0323-001
	D631-D635, D638-D643, D646-D651	SML-310VT/JK/-X	LNJ308681/1-3/X
FM/AM & CD	D636, D637	SML-310VT/JK/-X	LNJ308681/1-3/X
MODE & DISP	D644, D645	SML-310VT/JK/-X	LNJ308681/1-3/X
	D652, D653	NSPW310BS/B2RS	NSPW310BS/BRS
POWER	R630	820	820
VOL	R631	470	470
SEL	R633	680	330
FM/AM & CD	R637	820	820
1, 2, 3	R639	330	330
4, 5, 6	R641	330	330
MODE & DISP	R643	470	430
>>1, <<	R645	470	430
TP/PTY, EJECT	R647	470	430
UP, DOWN	R651	470	430



- NOTES
- VOLTAGES ARE DC-MEASURED WITH A DIGITAL VOLT METER WITHOUT INPUT SIGNAL.
 - UNLESS OTHERWISE SPECIFIED, ALL RESISTORS ARE 1/16W 15% METAL GLAZE RESISTOR. ALL CAPACITORS ARE 50V OR 25V CERAMIC CAPACITOR. ALL RESISTANCE VALUES ARE IN OHM. ALL CAPACITANCE VALUES ARE IN uF(P-pF) ALL E-CAPACITORS ARE SHOWN IN THE FORM OF CAPACITANCE(uF)/RATED VOLTAGE(V) T --- TANTAL CAPACITOR.
 - COMPONENTS IN () INDICATE NOT USE.

Main amplifier section (KD-G207)

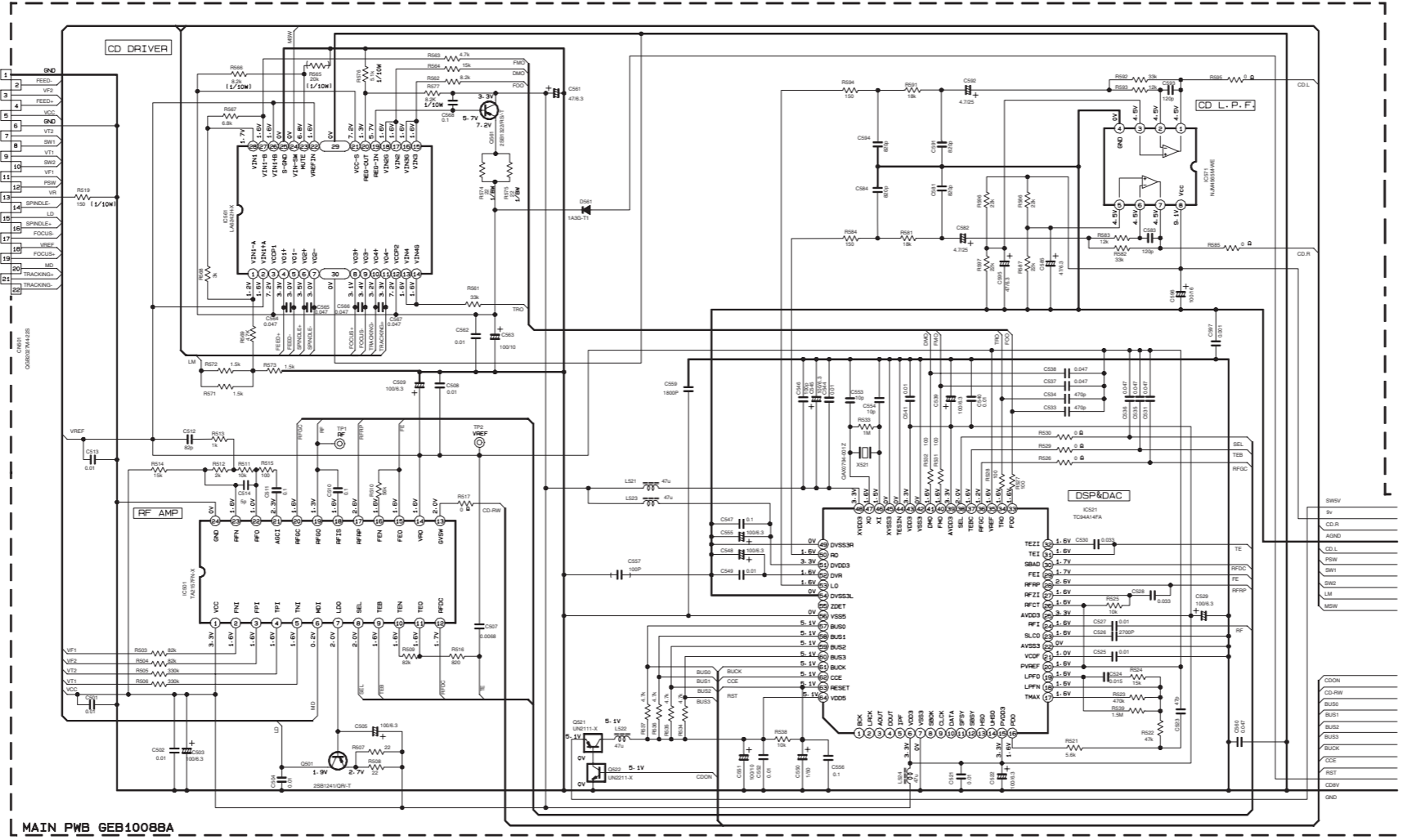
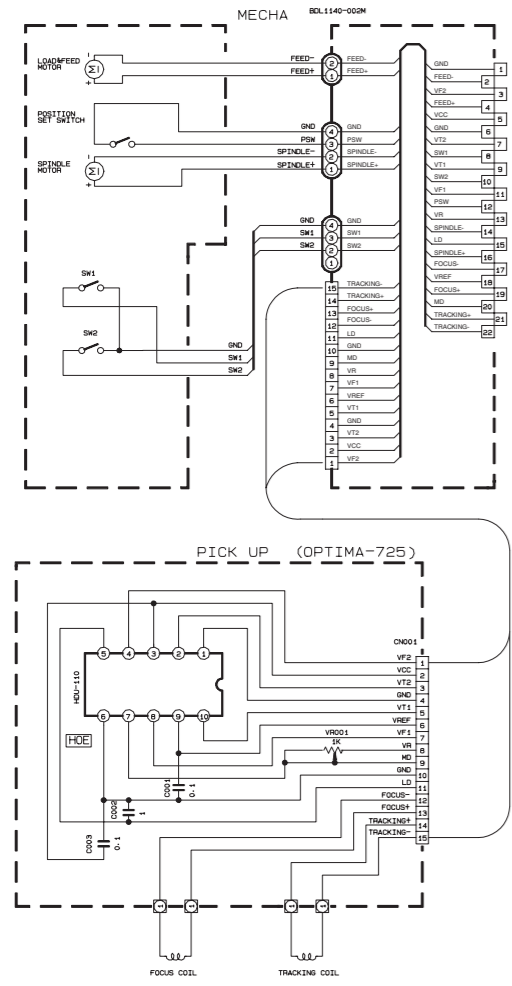
- NOTES**
- VOLTAGES ARE DC-MEASURED WITH A DIGITAL VOLT METER WITHOUT INPUT SIGNAL CONDITION—FM MODE. □ AM MODE. () CD MODE.
 - UNLESS OTHERWISE SPECIFIED, ALL RESISTORS ARE 1/16W ± 5% METAL GLAZE RESISTOR. ALL CAPACITORS ARE 50V OR 25V CERAMIC CAPACITOR. ALL RESISTANCE VALUES ARE IN OHM. ALL CAPACITANCE VALUES ARE IN UF(PF) ALL E. CAPACITORS ARE SHOWN IN THE FORM OF CAPACITANCE(UF)/RATED VOLTAGE(V) TF — T.F. CAPACITOR.
 - COMPONENTS IN () INDICATE NOT USE.



(SHEET 5)
To C.J601 (SHEET 6)

⚠ Parts are safety assurance parts. When replacing those parts make sure to use the specified one.

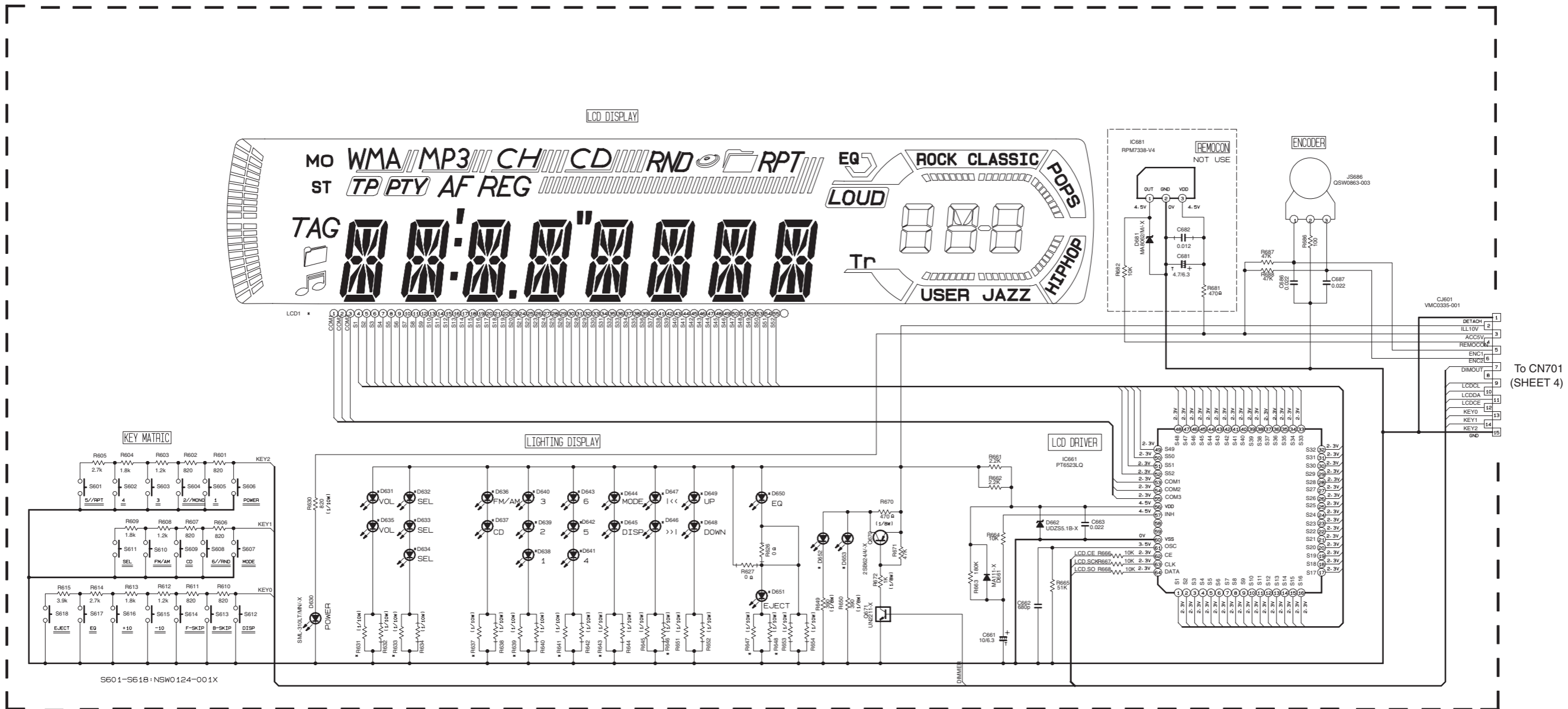
CD servo section (KD-G207)



(SHEET 4)
(SHEET 4)

NOTES
1. VOLTAGES ARE DC-MEASURED WITH A DIGITAL VOLT METER WITHOUT INPUT SIGNAL CONDITION --- CD MODE.
2. UNLESS OTHERWISE SPECIFIED:
ALL RESISTORS ARE 1/16W ± 5% METAL GLAZE RESISTOR.
ALL CAPACITORS ARE 50V OR 25V CERAMIC CAPACITOR.
ALL RESISTANCE VALUES ARE IN OHM.
ALL CAPACITANCE VALUES ARE IN uF(p=pF)
ALL E. CAPACITORS ARE SHOWN IN THE FORM OF CAPACITANCE(uF)/RATED VOLTAGE(V)

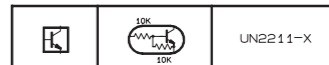
■ LCD & Key control section (KD-G207)



SW PWB: GEB10100A

*REMARKS

MODEL	KD-G207EE
LCD 1	QLD0323-001
D631-D635, D638-D643, D646-D651	LNJ308G81/1-3/X
FM/AM & CD	D636, D637 LNJ308G81/1-3/X
MODE & DISP	D644, D645 LNJ308G81/1-3/X
	D652, D653 NSPW310BS/BRS
POWER	R630 820
VOL	R631 470
SEL	R633 330
FM/AM & CD	R637 820
1. 2. 3	R639 330
4. 5. 6	R641 330
MODE & DISP	R643 430
>> . <<	R645 430
EQ, EJECT	R647 430
UP, DOWN	R651 430

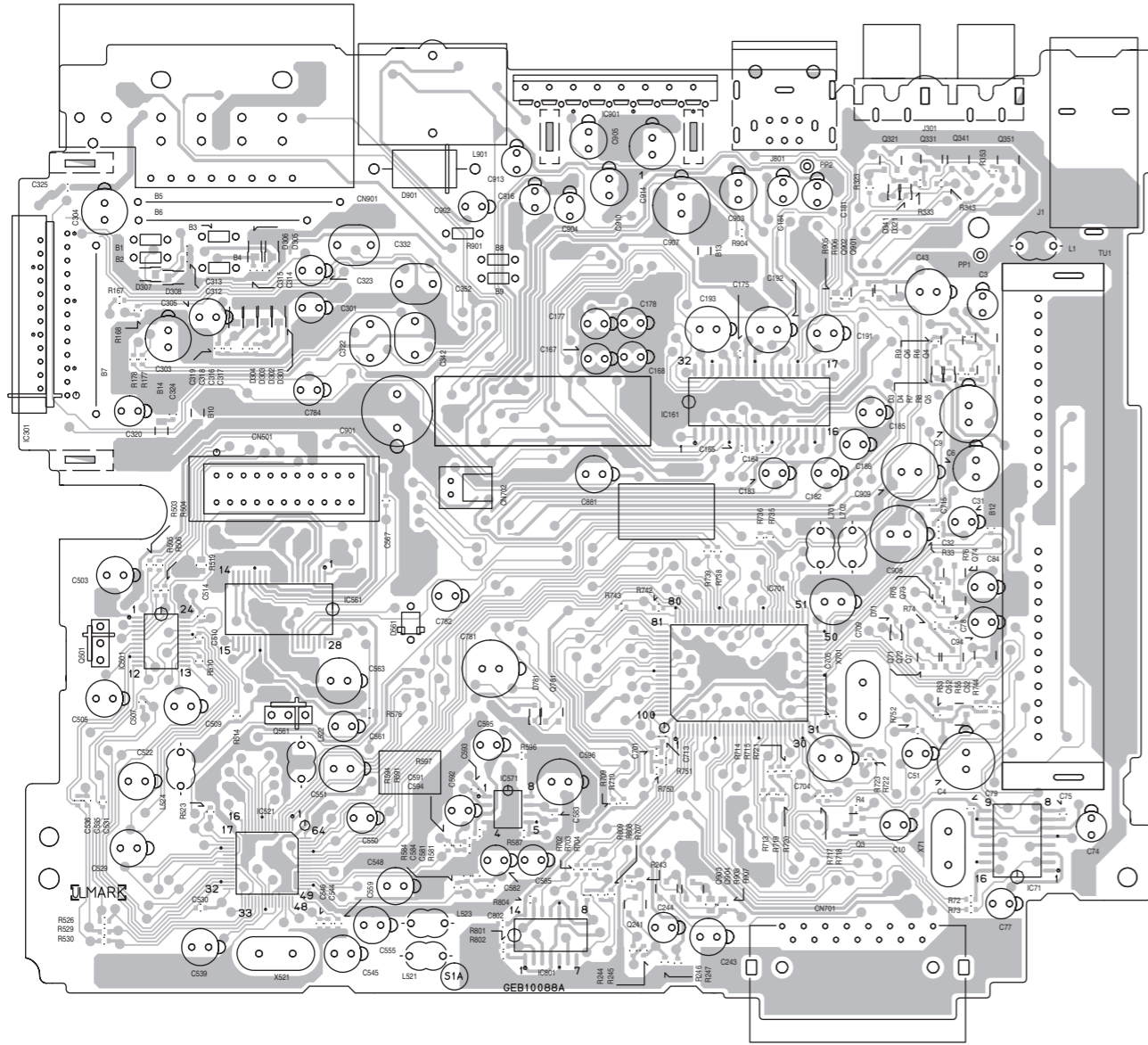


- NOTES
- VOLTAGES ARE DC-MEASURED WITH A DIGITAL VOLT METER WITHOUT INPUT SIGNAL.
 - UNLESS OTHERWISE SPECIFIED, ALL RESISTORS ARE 1/16W ±5% METAL GLAZE RESISTOR. ALL CAPACITORS ARE 50V OR 25V CERAMIC CAPACITOR. ALL RESISTANCE VALUES ARE IN ΩM. ALL CAPACITANCE VALUES ARE IN μF(P=pF) ALL E. CAPACITORS ARE SHOWN IN THE FORM OF CAPACITANCE(μF)/RATED VOLTAGE(V) T --- TANTALUM CAPACITOR.
 - COMPONENTS IN () INDICATE NOT USE.

Printed circuit boards

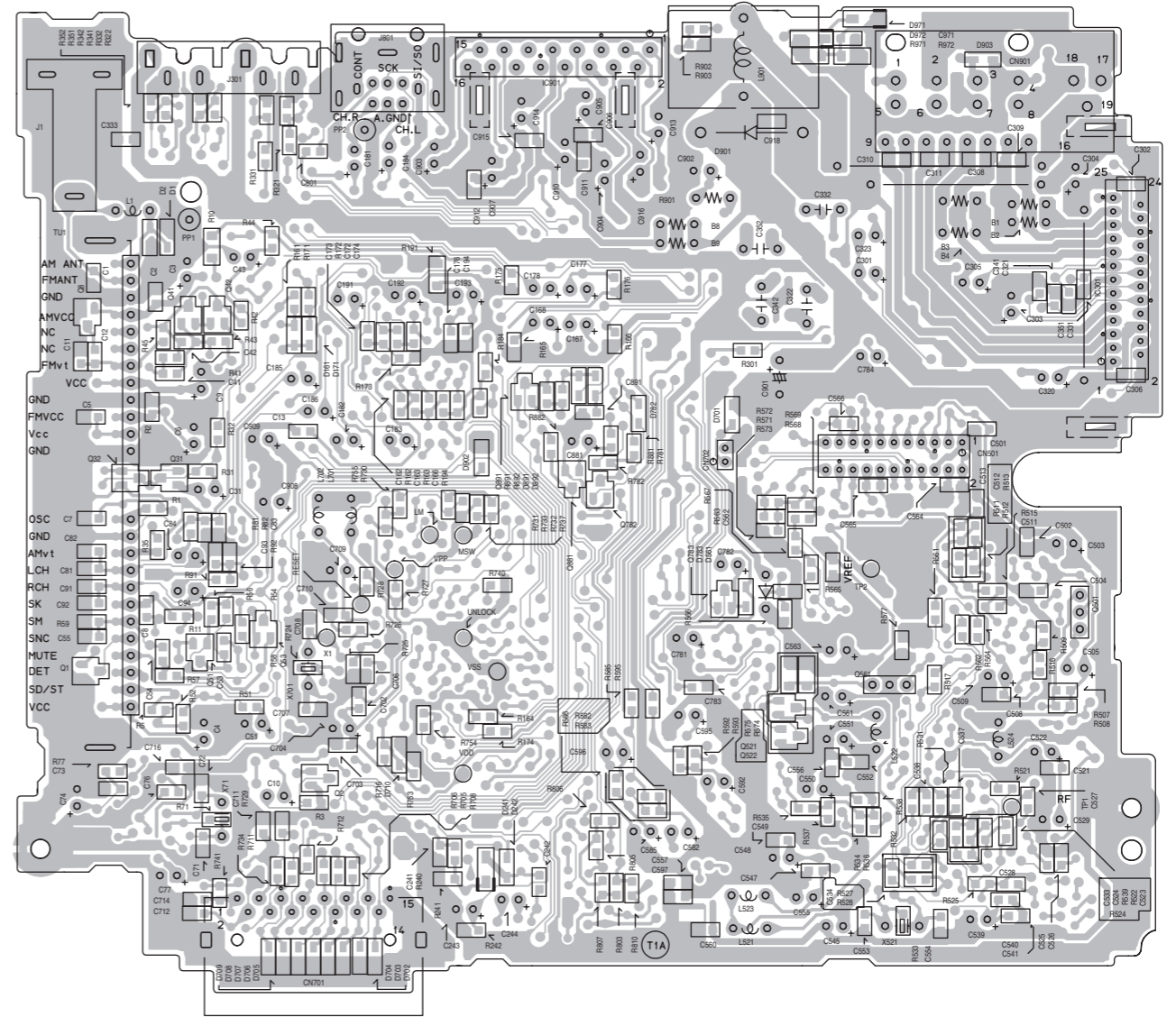
■ Main board

Forward side



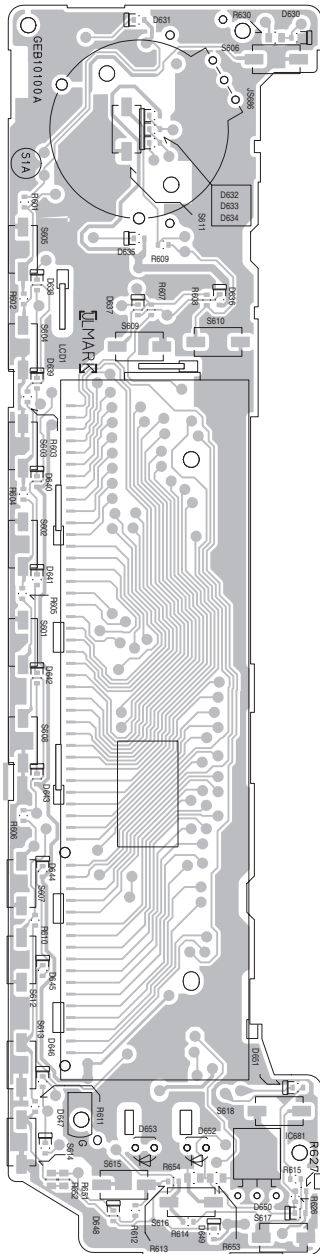
■ Main board

Reverse side

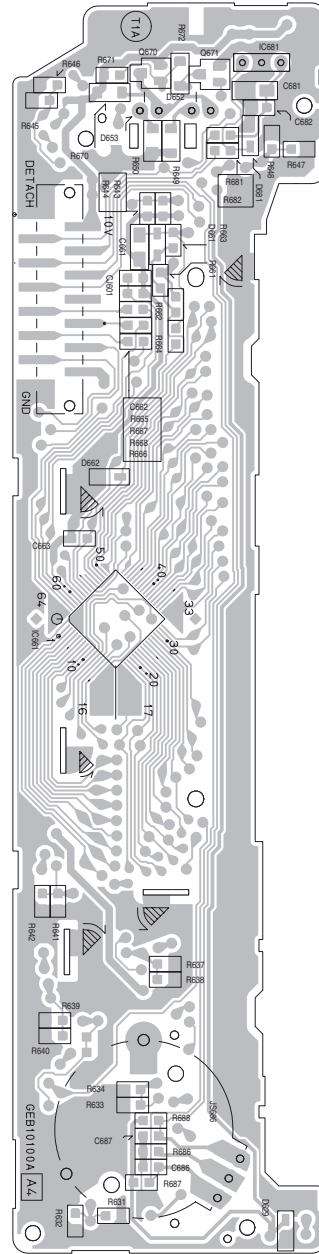


■ Front board

Forward side

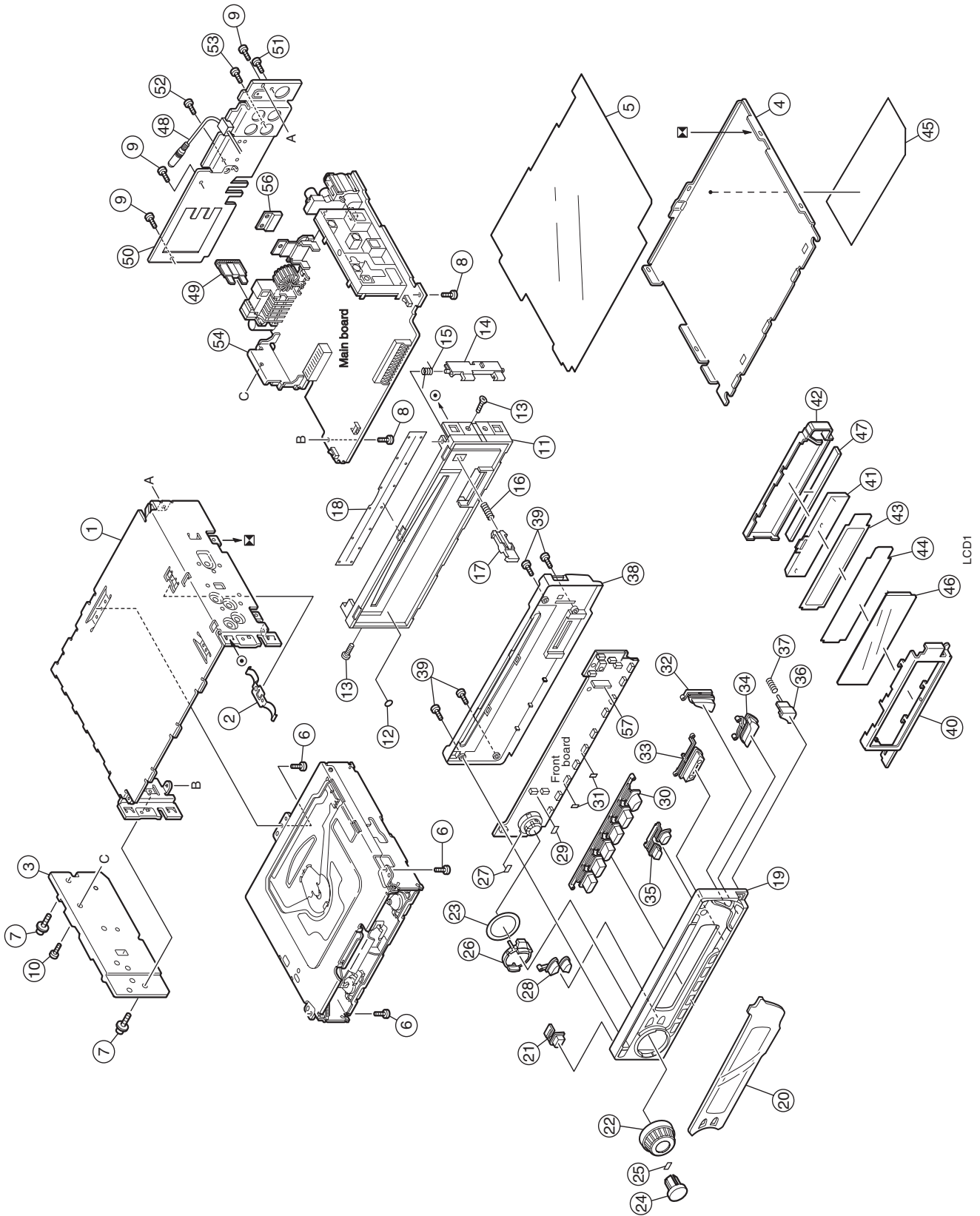


Reverse side



Exploded view of general assembly and parts list

Block No. M 1 M M



General assembly

Block No. [M][1][M][M]

△ Symbol No.	Part No.	Part Name	Description	Local
1	GE10043-210A	TOP CHASSIS		
2	GE40135-001A	EARTH PLATE		
3	GE30938-003A	SIDE PANEL		
4	GE30393-002A	BOTTOM COVER		
5	FSMA3004-203	INSULATOR		
6	QYSDST2604Z	SCREW	2.6mm x 4mm(x3)	
7	FSKZ4005-001	SCREW	(x2)	
8	QYSDST2606Z	SCREW	2.6mm x 6mm(x2)	
9	QYSDST2604Z	SCREW	2.6mm x 4mm(x3)	
10	QYSDST2610Z	SCREW	2.6mm x 10mm	
11	GE10079-001A	FRONT CHASSIS		
12	FSYH4036-098	SHEET		
13	QYSDST2004M	MINI SCREW	2mm x 4mm(x2)	
14	GE31033-001A	LOCK LEVER		
15	FSKW4005-003	TORSION SPRING		
16	FSWK3002-015	COMPRESSION SPRING		
17	GE31034-001A	RLS KNOB		
18	GE40156-001A	BLIND		
19	GE10077-001A	FRONT PANEL		
20	GE31031-019A	FINDER ASSY		G201 E,G20 1EX
20	GE31031-020A	FINDER ASSY		G202 E,G20 2EX
20	GE31031-021A	FINDER ASSY		G207 EE
21	GE31027-001A	POWER BUTTON		
22	GE31038-001A	VOLUME KNOB		
23	GE40218-002A	SHEET		
24	GE31039-003A	SEL BUTTON		
25	FSYH4036-053	SHEET		
26	GE31040-001A	RIM LENS		
27	FSYH4036-069	SHEET		
28	GE31029-001A	D.FUNC BTN		
29	FSYH4036-069	SHEET		
30	GE20161-001A	PRESET BUTTON		
31	FSYH4036-069	SHEET	(x2)	
32	GE31024-002A	UP/DOWN BTN		
33	GE31028-001A	SSM BTN		G201 E,G20 1EX G202 E,G20
33	GE31028-003A	SSM BTN		2EX,G 207E E
34	GE31025-001A	SEARCH BTN		
35	GE31026-001A	EJECT BUTTON		
36	GE31032-002A	DETACH BTN		
37	GE40202-003A	COMPRESSION SPRING		
38	GE10078-001A	REAR COVER		
39	VKZ4777-001	MINI SCREW	(x4)	
40	GE31021-001A	LCD CASE		
41	GE31022-002A	LCD LENS		
42	GE31023-001A	LENS CASE		
43	GE40199-001A	LIGHTING SHEET		
44	GE40199-002A	LIGHTING SHEET		
45	GE31080-001A	NAME PLATE		G201 E,G20 1EX
45	GE31083-001A	NAME PLATE		G202 E,G20 2EX
45	GE31086-001A	NAME PLATE		G207 EE
46	QLD0289-001	LCD MODULE		G201 E,G20 1EX
46	QLD0323-001	LCD MODULE		G202 E,G20 2EX,G 207E E
47	QNZ0443-001	LCD CONNECTOR		

△ Symbol No.	Part No.	Part Name	Description	Local
48	QAM0461-002	STEERING REMOTE		G201 E,G20 1EX,G 202E, G202 EX
△ 49	QMFZ047-150-T	FUSE	15A	
50	GE30912-007A	REAR BRACKET		
51	QYSDST2606Z	SCREW	2.6mm x 6mm	
52	QYSDST2606Z	SCREW	2.6mm x 6mm	
53	QYSDSF2606Z	SCREW	2.6mm x 6mm	
54	GE40172-004A	IC BRACKET		
56	GE40107-002A	HEAT SINK		
57	GE30854-001A	LED HOLDER		

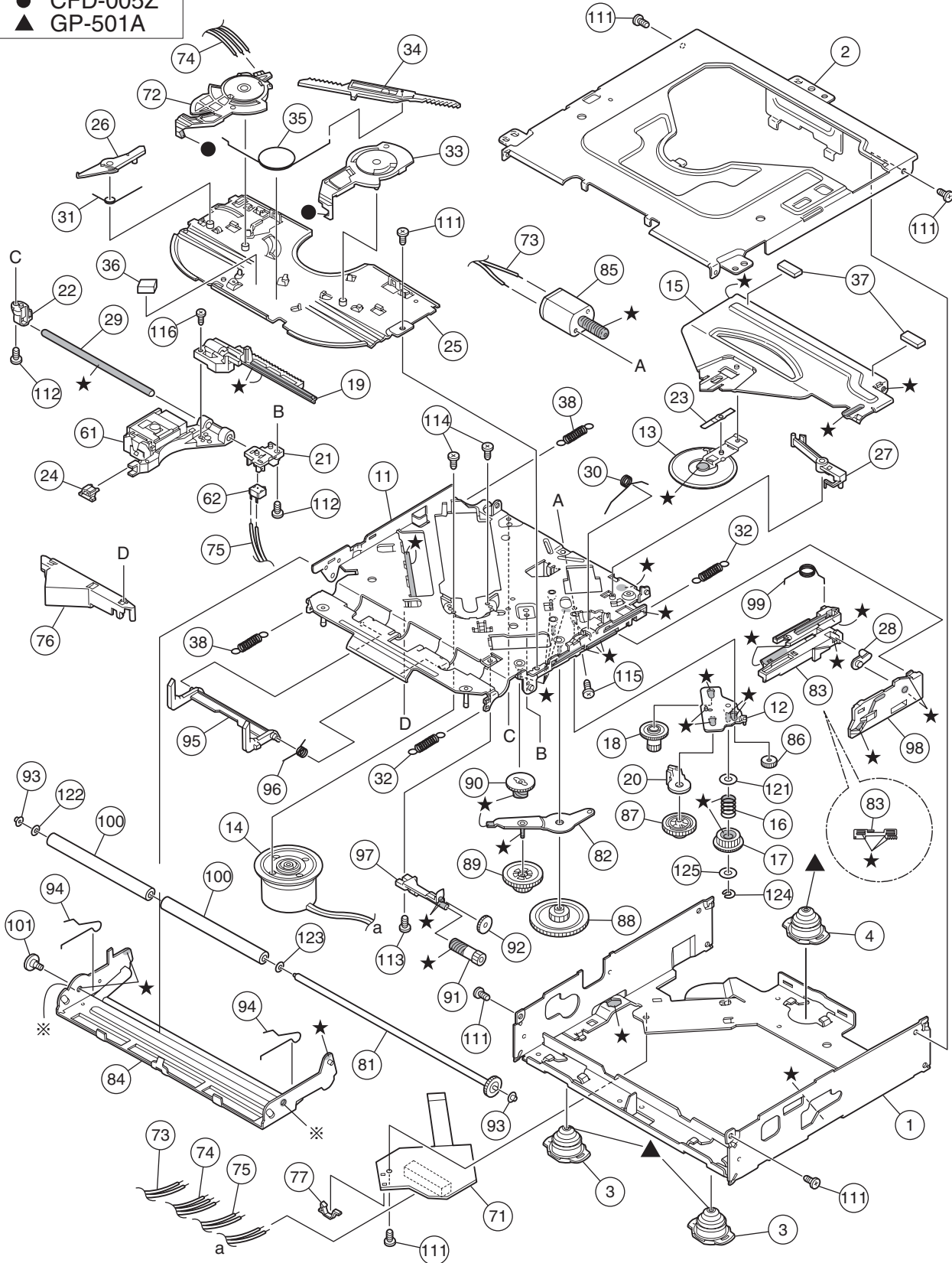
CD mechanism assembly and parts list

Block No. M B M M

TN-2001-1011

Grease

- ★ TNG-87
- ※ GP-501MK
- CFD-005Z
- ▲ GP-501A



CD mechanism

Block No. [M][B][M][M]

△ Symbol No.	Part No.	Part Name	Description	Local
1	30320101T	FRAME		
2	30320102T	TOP COVER		
3	30320115T	DANPER F		
4	30320116T	DANPER R		
11	303205505T	CHASSIS RIVET		
12	303205503T	CHANGE P. RVT A		
13	303205301T	CLAMPER ASS'Y		
14	303205302T	SPINDLE MOTOR A		
15	30320502T	CLAMPER ARM		
16	30320503T	CHANGE GEAR SPG		
17	30320505T	CHANGE GEAR 2		
18	30320506T	FEED GEAR		
19	30320507T	FEED RACK		
20	30320509T	CHANGE LOCK RAR		
21	30320510T	FEED SW HOLDER		
22	30320511T	PU SHAFT HOLDER		
23	30320513T	CLAMPER SUB SPG		
24	30320514T	FD SUB HOLDER		
25	30320518T	TOP PLATE		
26	30320519T	SELECT LOCK ARM		
27	30320520T	TRIGGER ARM		
28	30320521T	SLIDE HOOK		
29	30320522T	PU SHAFT		
30	30320525T	CLAMPER ARM SPG		
31	30320526T	SELECT L ARM SP		
32	30320538T	SUSPENSION SP R		
33	30320529T	SELECT ARM R		
34	30320530T	LINK PLATE		
35	30320531T	LINK PLATE SPG		
36	30320523T	CUSHION F		
37	30320524T	CUSHION R		
38	30320539T	SUSPENSION SP L		
61	69011614T	PICKUP OPT-725		
62	64180406T	DET SW ESE22		
71	303210301T	CONN PWB ASS'Y		
72	30321002T	MODE SW		
73	30321003T	LOAD MOTOR WIRE		
74	30321005T	MODE SW WIRE		
75	30321009T	SL WIRE		
76	30321011T	WIRE HOLDER		
77	19501403T	WIRE CLUMPER		
81	303211301T	ROLLER SHAFT AS		
82	303211501T	L GEAR PLATE RV		
83	303211302T	LOADING PLATE A		
84	303211502T	LOCK ARM RV ASS		
85	303211303T	L/F MOTOR ASS'Y		
86	30321101T	LOADING GEAR 1		
87	30321102T	LOADING GEAR 2		
88	30321103T	LOADING GEAR 3		
89	30321104T	LOADING GEAR 4		
90	30321105T	LOADING GEAR 5		
91	30321106T	LOADING GEAR 6		
92	30321107T	LOADING GEAR 7		
93	30321111T	ROLLER GUIDE		
94	30321114T	ROLLER GUIDE SP		
95	30321116T	DISC STOPPER AR		
96	30321117T	DISC ST ARM SPG		
97	30321118T	LD GEAR BRACKET		
98	30321125T	L SIDE PLATE		
99	30321131T	LOAD PLATE SPG		
100	30321133T	LDG ROLLER		
101	18211223T	COLLAR SCREW		
111	9P0420031T	SCREW		
112	9P0420041T	TAP.SCREW		
113	9B0320041T	SCREW		
114	9C0117183T	SCREW		
115	9C0120203T	SCREW		
116	9C0317503T	SCREW		
121	9W0130170T	PW 3.5X8X0.3		
122	9W0513060T	HL WASHER		
123	9W0710070T	L WASHER		
124	9E0100152T	E RING		
125	9W0113020T	PW 2.1X4X0.13		

Electrical parts list

Main board

Block No. [0][1][0][0]

△ Symbol No.	Part No.	Part Name	Description	Local
IC71	SAA6579T-X	IC		G201 E,G20 1EX,G 202E, G202 EX
IC161	TEA6320T-X	IC		
IC301	LA47515	IC		
IC501	TA2157FN-X	RF AMP IC		
IC521	TC94A14FA	CD LSI IC		
IC561	LA6242H-X	BTL DRIVER IC		
IC571	NJM4565M-WE	IC		
IC701	UPD178078GF-664	IC		G201 E,G20 1EX,G 202E, G202 EX
IC701	UPD178078GF-665	IC		G207 EE
IC901	AN80T07	IC		
Q1	UN2211-X	TRANSISTOR		
Q2	2SD601A/QR/-X	TRANSISTOR		
Q3	UN2111-X	TRANSISTOR		
Q4	2SB709A/R/-X	TRANSISTOR		
Q5	2SB624/4/-X	TRANSISTOR		
Q6	UN2211-X	TRANSISTOR		
Q7	UN2211-X	TRANSISTOR		
Q31	2SD601A/QR/-X	TRANSISTOR		
Q32	2SD601A/QR/-X	TRANSISTOR		
Q41	2SC3661-X	TRANSISTOR		
Q42	2SC3661-X	TRANSISTOR		
Q51	2SD601A/QR/-X	TRANSISTOR		G201 E,G20 1EX,G 202E, G202 EX
Q52	2SD601A/QR/-X	TRANSISTOR		G201 E,G20 1EX,G 202E, G202 EX
Q53	UN2211-X	TRANSISTOR		G201 E,G20 1EX,G 202E, G202 EX
Q71	UN2111-X	TRANSISTOR		G201 E,G20 1EX,G 202E, G202 EX
Q73	2SD601A/QR/-X	TRANSISTOR		G201 E,G20 1EX,G 202E, G202 EX
Q74	2SD601A/QR/-X	TRANSISTOR		G201 E,G20 1EX,G 202E, G202 EX
Q341	2SD1781K/QR/-X	TRANSISTOR		
Q351	2SD1781K/QR/-X	TRANSISTOR		
Q501	2SB1241/QR/-T	TRANSISTOR		
Q521	UN2111-X	TRANSISTOR		
Q522	UN2211-X	TRANSISTOR		
Q561	2SB1322/RS/-T	TRANSISTOR		
Q781	UN2111-X	TRANSISTOR		
Q782	UN2211-X	TRANSISTOR		

△ Symbol No.	Part No.	Part Name	Description	Local
Q783	UN2111-X	TRANSISTOR		
Q891	UN2211-X	TRANSISTOR		
Q901	2SB709A/QR/-X	TRANSISTOR		
Q902	UN2211-X	TRANSISTOR		
D1	MA111-X	SI DIODE		
D2	MA111-X	SI DIODE		
D3	MA111-X	SI DIODE		
D4	MA111-X	SI DIODE		
D71	MA111-X	SI DIODE		G201 E,G20 1EX,G 202E, G202 EX
D321	MA111-X	SI DIODE		
D341	MA111-X	SI DIODE		
D561	1A3G-T1	SI DIODE		
D702	MA8062/M/-X	Z DIODE		
D703	MA8062/M/-X	Z DIODE		
D704	MA8062/M/-X	Z DIODE		
D705	MA8062/M/-X	Z DIODE		
D706	MA8062/M/-X	Z DIODE		
D707	MA8062/M/-X	Z DIODE		
D781	MA111-X	SI DIODE		
D782	MA111-X	SI DIODE		
D783	UDZS11B-X	Z DIODE		
D891	MA111-X	SI DIODE		
D892	MA111-X	SI DIODE		
D901	1N5401-TU-15	DIODE		
D902	MA111-X	SI DIODE		
D971	RB160M-30-X	SB DIODE		
D972	RB160M-30-X	SB DIODE		
C2	NCB31EK-473X	C CAPACITOR	0.047uF 25V K	
C3	QEKJ1HM-474Z	E CAPACITOR	0.47uF 50V M	
C4	QEKJ1AM-227Z	E CAPACITOR	220uF 10V M	
C5	NDC31HJ-101X	C CAPACITOR	100pF 50V J	
C6	QEKJ1AM-107Z	E CAPACITOR	100uF 10V M	
C8	NCB31HK-102X	C CAPACITOR	1000pF 50V K	
C9	QEKJ1AM-227Z	E CAPACITOR	220uF 10V M	
C10	QEKJ1HM-105Z	E CAPACITOR	1uF 50V M	
C13	NDC31HJ-221X	C CAPACITOR	220pF 50V J	
C31	QEKJ1HM-225Z	E CAPACITOR	2.2uF 50V M	
C32	NCS31HJ-102X	C CAPACITOR	1000pF 50V J	G201 E,G20 1EX,G 202E, G202 EX
C41	NCB21EK-124X	C CAPACITOR	0.12uF 25V K	G201 E,G20 1EX,G 202E, G202 EX
C41	NCB21CK-224X	C CAPACITOR	0.22uF 16V K	G207 EE
C42	NCB31HK-123X	C CAPACITOR	0.012uF 50V K	G201 E,G20 1EX,G 202E, G202 EX
C42	NCB31EK-823X	C CAPACITOR	0.082uF 25V K	G207 EE
C43	QEKJ1CM-107Z	E CAPACITOR	100uF 16V M	
C51	QEKJ1HM-474Z	E CAPACITOR	0.47uF 50V M	G201 E,G20 1EX,G 202E, G202 EX
C52	NCB31EK-472X	C CAPACITOR	4700pF 25V K	G201 E,G20 1EX,G 202E, G202 EX
C53	NCB31EK-104X	C CAPACITOR	0.1uF 25V K	G201 E,G20 1EX,G 202E, G202 EX

Symbol No.	Part No.	Part Name	Description	Local	Symbol No.	Part No.	Part Name	Description	Local
C54	NCB31EK-103X	C CAPACITOR	0.01uF 25V K	G201 E,G20 1EX,G 202E, G202 EX	C176	NCB31HK-562X	C CAPACITOR	5600pF 50V K	
					C177	QEKJ1HM-475Z	E CAPACITOR	4.7uF 50V M	
					C178	QEKJ1HM-475Z	E CAPACITOR	4.7uF 50V M	
					C182	QEKJ1HM-105Z	E CAPACITOR	1uF 50V M	
					C183	QEKJ1HM-105Z	E CAPACITOR	1uF 50V M	
					C185	QEKJ1HM-105Z	E CAPACITOR	1uF 50V M	
					C186	QEKJ1HM-105Z	E CAPACITOR	1uF 50V M	
C55	NDC31HJ-331X	C CAPACITOR	330pF 50V J	G201 E,G20 1EX,G 202E, G202 EX	C186	QEKJ1HM-105Z	E CAPACITOR	1uF 50V M	
					C191	QEKJ1CM-476Z	E CAPACITOR	47uF 16V M	
					C192	QEKJ1AM-107Z	E CAPACITOR	100uF 10V M	
					C193	QEKJ1CM-107Z	E CAPACITOR	100uF 16V M	
					C194	NCB31CK-103X	C CAPACITOR	0.01uF 16V K	
					C301	QEKJ1CM-106Z	E CAPACITOR	10uF 16V M	
					C302	NCB31HK-223X	C CAPACITOR	0.022uF 50V K	
C71	NDC31HJ-820X	C CAPACITOR	82pF 50V J	G201 E,G20 1EX,G 202E, G202 EX	C303	QERF1CM-476Z	E CAPACITOR	47uF 16V M	
					C304	QEKJ1CM-107Z	E CAPACITOR	100uF 16V M	
					C305	QERF1CM-226Z	E CAPACITOR	22uF 16V M	
					C306	NCB31HK-223X	C CAPACITOR	0.022uF 50V K	
					C308	NCB31EK-104X	C CAPACITOR	0.1uF 25V K	
C72	NDC31HJ-470X	C CAPACITOR	47pF 50V J	G201 E,G20 1EX,G 202E, G202 EX	C309	NCB31EK-104X	C CAPACITOR	0.1uF 25V K	
					C310	NCB31EK-104X	C CAPACITOR	0.1uF 25V K	
					C311	NCB31EK-104X	C CAPACITOR	0.1uF 25V K	
					C312	NDC31HJ-101X	C CAPACITOR	100pF 50V J	
					C313	NDC31HJ-101X	C CAPACITOR	100pF 50V J	
					C314	NDC31HJ-101X	C CAPACITOR	100pF 50V J	
C73	NCB31HK-103X	C CAPACITOR	0.01uF 50V K	G201 E,G20 1EX,G 202E, G202 EX	C315	NDC31HJ-101X	C CAPACITOR	100pF 50V J	
					C316	NDC31HJ-101X	C CAPACITOR	100pF 50V J	
					C317	NDC31HJ-101X	C CAPACITOR	100pF 50V J	
					C318	NDC31HJ-101X	C CAPACITOR	100pF 50V J	
					C319	NDC31HJ-101X	C CAPACITOR	100pF 50V J	
C74	QEKJ0JM-476Z	E CAPACITOR	47uF 6.3V M	G201 E,G20 1EX,G 202E, G202 EX	C320	QERF1HM-105Z	E CAPACITOR	1uF 50V M	
					C321	NCS31HJ-391X	C CAPACITOR	390pF 50V J	
					C322	QFVD1HJ-474Z	MF CAPACITOR	0.47uF 50V J	
					C323	QERF1HM-105Z	E CAPACITOR	1uF 50V M	
					C331	NCS31HJ-391X	C CAPACITOR	390pF 50V J	
					C332	QFVD1HJ-474Z	MF CAPACITOR	0.47uF 50V J	
C75	NDC31HJ-561X	C CAPACITOR	560pF 50V J	G201 E,G20 1EX,G 202E, G202 EX	C333	NCB31EK-473X	C CAPACITOR	0.047uF 25V K	
					C341	NCS31HJ-391X	C CAPACITOR	390pF 50V J	
					C342	QFVD1HJ-474Z	MF CAPACITOR	0.47uF 50V J	
					C351	NCS31HJ-391X	C CAPACITOR	390pF 50V J	
					C352	QFVD1HJ-474Z	MF CAPACITOR	0.47uF 50V J	
C76	NCB31EK-223X	C CAPACITOR	0.022uF 25V K	G201 E,G20 1EX,G 202E, G202 EX	C501	NCB31HK-103X	C CAPACITOR	0.01uF 50V K	
					C502	NCB31HK-103X	C CAPACITOR	0.01uF 50V K	
					C503	QEKJ0JM-107Z	E CAPACITOR	100uF 6.3V M	
					C504	NCB31HK-103X	C CAPACITOR	0.01uF 50V K	
					C505	QEKJ0JM-107Z	E CAPACITOR	100uF 6.3V M	
C77	QEKJ1HM-225Z	E CAPACITOR	2.2uF 50V M	G201 E,G20 1EX,G 202E, G202 EX	C507	NCB31HK-682X	C CAPACITOR	6800pF 50V K	
					C508	NCB31HK-103X	C CAPACITOR	0.01uF 50V K	
					C509	QEKJ0JM-107Z	E CAPACITOR	100uF 6.3V M	
					C510	NCB31EK-104X	C CAPACITOR	0.1uF 25V K	
					C511	NCB31EK-104X	C CAPACITOR	0.1uF 25V K	
C78	NCB31EK-104X	C CAPACITOR	0.1uF 25V K	G201 E,G20 1EX,G 202E, G202 EX	C512	NDC31HJ-820X	C CAPACITOR	82pF 50V J	
					C513	NCB31HK-103X	C CAPACITOR	0.01uF 50V K	
					C514	NDC31HJ-5R0X	C CAPACITOR	5pF 50V J	
					C521	NCB31HK-103X	C CAPACITOR	0.01uF 50V K	
					C522	QEKJ0JM-107Z	E CAPACITOR	100uF 6.3V M	
					C523	NDC31HJ-470X	C CAPACITOR	47pF 50V J	
C79	NCB31EK-103X	C CAPACITOR	0.01uF 25V K	G201 E,G20 1EX,G 202E, G202 EX	C524	NCB31HK-153X	C CAPACITOR	0.015uF 50V K	
					C525	NCB31HK-103X	C CAPACITOR	0.01uF 50V K	
					C526	NCB31HK-272X	C CAPACITOR	2700pF 50V K	
					C527	NCB31HK-103X	C CAPACITOR	0.01uF 50V K	
C81	NCB31HK-102X	C CAPACITOR	1000pF 50V K		C528	NCB31EK-333X	C CAPACITOR	0.033uF 25V K	
C82	NCB31EK-123X	C CAPACITOR	0.012uF 25V K		C529	QEKJ0JM-107Z	E CAPACITOR	100uF 6.3V M	
C83	NCB31HK-152X	C CAPACITOR	1500pF 50V K		C530	NCB31EK-333X	C CAPACITOR	0.033uF 25V K	
C84	QEKJ1HM-105Z	E CAPACITOR	1uF 50V M		C531	NCB31EK-473X	C CAPACITOR	0.047uF 25V K	
C91	NCB31HK-102X	C CAPACITOR	1000pF 50V K		C533	NDC31HJ-471X	C CAPACITOR	470pF 50V J	
C92	NCB31EK-123X	C CAPACITOR	0.012uF 25V K		C534	NDC31HJ-471X	C CAPACITOR	470pF 50V J	
C93	NCB31HK-152X	C CAPACITOR	1500pF 50V K		C535	NCB31EK-473X	C CAPACITOR	0.047uF 25V K	
C94	QEKJ1HM-105Z	E CAPACITOR	1uF 50V M		C536	NCB31EK-473X	C CAPACITOR	0.047uF 25V K	
C162	NCB31HK-822X	C CAPACITOR	8200pF 50V K		C537	NCB31EK-473X	C CAPACITOR	0.047uF 25V K	
C163	NCB31CK-224X	C CAPACITOR	0.22uF 16V K		C538	NCB31EK-473X	C CAPACITOR	0.047uF 25V K	
C164	NCB31CK-224X	C CAPACITOR	0.22uF 16V K		C539	QEKJ0JM-107Z	E CAPACITOR	100uF 6.3V M	
C165	NCB31CK-333X	C CAPACITOR	0.033uF 16V K		C540	NCB31HK-103X	C CAPACITOR	0.01uF 50V K	
C166	NCB31HK-562X	C CAPACITOR	5600pF 50V K		C541	NCB31HK-103X	C CAPACITOR	0.01uF 50V K	
C167	QEKJ1HM-475Z	E CAPACITOR	4.7uF 50V M		C544	NCB31HK-103X	C CAPACITOR	0.01uF 50V K	
C168	QEKJ1HM-475Z	E CAPACITOR	4.7uF 50V M		C545	QEKJ0JM-107Z	E CAPACITOR	100uF 6.3V M	
C172	NCB31HK-822X	C CAPACITOR	8200pF 50V K		C546	NDC31HJ-101X	C CAPACITOR	100pF 50V J	
C173	NCB31CK-224X	C CAPACITOR	0.22uF 16V K		C547	NCB31EK-104X	C CAPACITOR	0.1uF 25V K	
C174	NCB31CK-224X	C CAPACITOR	0.22uF 16V K		C548	QEKJ0JM-107Z	E CAPACITOR	100uF 6.3V M	
C175	NCB31CK-333X	C CAPACITOR	0.033uF 16V K						

△ Symbol No.	Part No.	Part Name	Description	Local	△ Symbol No.	Part No.	Part Name	Description	Local
C549	NCB31HK-103X	C CAPACITOR	0.01uF 50V K		R31	NRSA63J-102X	MG RESISTOR	1kΩ 1/16W J	
C550	QEKJ1HM-105Z	E CAPACITOR	1uF 50V M		R32	NRSA63J-103X	MG RESISTOR	10kΩ 1/16W J	
C551	QEKJ1AM-107Z	E CAPACITOR	100uF 10V M		R33	NRSA63J-152X	MG RESISTOR	1.5kΩ 1/16W J	
C552	NCB31HK-103X	C CAPACITOR	0.01uF 50V K		R35	NRSA63J-102X	MG RESISTOR	1kΩ 1/16W J	
C553	NDC31HJ-100X	C CAPACITOR	10pF 50V J						G201
C554	NDC31HJ-100X	C CAPACITOR	10pF 50V J						E,G20
C555	QEKJ0JM-107Z	E CAPACITOR	100uF 6.3V M		R41	NRSA63J-332X	MG RESISTOR	3.3kΩ 1/16W J	1EX,G
C556	NCB31EK-104X	C CAPACITOR	0.1uF 25V K						202E,
C559	NCB31HK-182X	C CAPACITOR	1800pF 50V K						G202
C560	NCB31EK-473X	C CAPACITOR	0.047uF 25V K						EX
C561	QEKJ0JM-476Z	E CAPACITOR	47uF 6.3V M		R41	NRSA63J-102X	MG RESISTOR	1kΩ 1/16W J	G207
C562	NCB31HK-103X	C CAPACITOR	0.01uF 50V K		R42	NRSA63J-102X	MG RESISTOR	1kΩ 1/16W J	EE
C563	QEDJ1AM-107Z	E CAPACITOR	100uF 10V M		R42	NRSA63J-102X	MG RESISTOR	1kΩ 1/16W J	
C564	NCB31EK-473X	C CAPACITOR	0.047uF 25V K		R43	NRSA63J-102X	MG RESISTOR	1kΩ 1/16W J	
C565	NCB31EK-473X	C CAPACITOR	0.047uF 25V K		R44	NRSA02J-330X	MG RESISTOR	33Ω 1/10W J	
C566	NCB31EK-473X	C CAPACITOR	0.047uF 25V K		R45	NRSA63J-102X	MG RESISTOR	1kΩ 1/16W J	
C567	NCB31EK-473X	C CAPACITOR	0.047uF 25V K		R51	NRSA63J-471X	MG RESISTOR	470Ω 1/16W J	
C568	NCB31EK-223X	C CAPACITOR	0.022uF 25V K		R52	NRSA63J-153X	MG RESISTOR	15kΩ 1/16W J	
C581	NCS31HJ-821X	C CAPACITOR	820pF 50V J						G201
C582	QEKJ1EM-475Z	E CAPACITOR	4.7uF 25V M		R53	NRSA63J-103X	MG RESISTOR	10kΩ 1/16W J	E,G20
C583	NDC31HJ-121X	C CAPACITOR	120pF 50V J						1EX,G
C584	NCS31HJ-821X	C CAPACITOR	820pF 50V J						202E,
C585	QEKJ0JM-476Z	E CAPACITOR	47uF 6.3V M						G202
C591	NCS31HJ-821X	C CAPACITOR	820pF 50V J						EX
C592	QEKJ1EM-475Z	E CAPACITOR	4.7uF 25V M						G201
C593	NDC31HJ-121X	C CAPACITOR	120pF 50V J		R54	NRSA63J-103X	MG RESISTOR	10kΩ 1/16W J	E,G20
C594	NCS31HJ-821X	C CAPACITOR	820pF 50V J						1EX,G
C595	QEKJ0JM-476Z	E CAPACITOR	47uF 6.3V M						202E,
C596	QEKJ1CM-107Z	E CAPACITOR	100uF 16V M						G202
C597	NCS31HJ-102X	C CAPACITOR	1000pF 50V J						EX
C703	NCB31HK-103X	C CAPACITOR	0.01uF 50V K		R55	NRSA63J-222X	MG RESISTOR	2.2kΩ 1/16W J	G201
C704	QEKJ1AM-107Z	E CAPACITOR	100uF 10V M						E,G20
C705	NCB31EK-104X	C CAPACITOR	0.1uF 25V K						1EX,G
C706	NCB31EK-104X	C CAPACITOR	0.1uF 25V K						G202
C707	NDC31HJ-150X	C CAPACITOR	15pF 50V J						EX
C708	NDC31HJ-150X	C CAPACITOR	15pF 50V J						G201
C709	QEKJ1AM-107Z	E CAPACITOR	100uF 10V M		R56	NRSA63J-473X	MG RESISTOR	47kΩ 1/16W J	E,G20
C710	NCB31EK-103X	C CAPACITOR	0.01uF 25V K						1EX,G
C711	NCB31EK-104X	C CAPACITOR	0.1uF 25V K						202E,
C712	NCB31EK-104X	C CAPACITOR	0.1uF 25V K						G202
C713	NCB31HK-103X	C CAPACITOR	0.01uF 50V K						EX
C714	NCB31AK-334X	C CAPACITOR	0.33uF 10V K						G201
C715	NCB31EK-103X	C CAPACITOR	0.01uF 25V K		R57	NRSA63J-473X	MG RESISTOR	47kΩ 1/16W J	E,G20
C716	NCB31EK-103X	C CAPACITOR	0.01uF 25V K						1EX,G
C781	QEKJ1AM-227Z	E CAPACITOR	220uF 10V M						202E,
C782	QEKJ1CM-226Z	E CAPACITOR	22uF 16V M						G202
C783	NCB31CK-224X	C CAPACITOR	0.22uF 16V K						EX
C784	QERF1HM-105Z	E CAPACITOR	1uF 50V M		R58	NRSA63J-473X	MG RESISTOR	47kΩ 1/16W J	G201
C891	NCB31EK-104X	C CAPACITOR	0.1uF 25V K						E,G20
C901	QEZ0625-338	E CAPACITOR	3300uF						G202
C902	QEKJ1HM-225Z	E CAPACITOR	2.2uF 50V M		R59	NRSA63J-273X	MG RESISTOR	27kΩ 1/16W J	EX
C903	QEKJ1CM-476Z	E CAPACITOR	47uF 16V M						G201
C904	QEKJ1CM-106Z	E CAPACITOR	10uF 16V M						E,G20
C905	QEKJ1CM-476Z	E CAPACITOR	47uF 16V M		R71	NRSA63J-222X	MG RESISTOR	2.2kΩ 1/16W J	1EX,G
C906	NCB31EK-103X	C CAPACITOR	0.01uF 25V K						202E,
C907	QEKJ1AM-227Z	E CAPACITOR	220uF 10V M						G202
C908	QEKJ1AM-227Z	E CAPACITOR	220uF 10V M						EX
C909	QEKJ1AM-227Z	E CAPACITOR	220uF 10V M						G201
C910	QEKJ1CM-476Z	E CAPACITOR	47uF 16V M						E,G20
C911	NCB31EK-104X	C CAPACITOR	0.1uF 25V K		R72	NRSA63J-222X	MG RESISTOR	2.2kΩ 1/16W J	1EX,G
C912	NCB31HK-103X	C CAPACITOR	0.01uF 50V K						202E,
C913	QEKJ1CM-106Z	E CAPACITOR	10uF 16V M						G202
C914	QEKJ1CM-107Z	E CAPACITOR	100uF 16V M						EX
C915	NCB31EK-104X	C CAPACITOR	0.1uF 25V K						G201
C916	QEKJ1CM-106Z	E CAPACITOR	10uF 16V M		R73	NRSA63J-222X	MG RESISTOR	2.2kΩ 1/16W J	E,G20
C918	NDC31HJ-101X	C CAPACITOR	100pF 50V J						1EX,G
C971	NCB31EK-104X	C CAPACITOR	0.1uF 25V K						202E,
R1	NRSA63J-101X	MG RESISTOR	100Ω 1/16W J						G202
R2	NRSA63J-103X	MG RESISTOR	10kΩ 1/16W J						EX
R4	NRSA63J-472X	MG RESISTOR	4.7kΩ 1/16W J		R74	NRSA63J-0R0X	MG RESISTOR	0Ω 1/16W J	G201
R5	NRSA63J-473X	MG RESISTOR	47kΩ 1/16W J						E,G20
R6	NRSA63J-473X	MG RESISTOR	47kΩ 1/16W J						1EX,G
R7	NRSA63J-472X	MG RESISTOR	4.7kΩ 1/16W J						202E,
R8	NRSA63J-473X	MG RESISTOR	47kΩ 1/16W J						G202
R9	NRSA63J-332X	MG RESISTOR	3.3kΩ 1/16W J						EX
R10	NRS181J-100X	MG RESISTOR	10Ω 1/8W J		R75	NRSA63J-472X	MG RESISTOR	4.7kΩ 1/16W J	G201
R11	NRSA63J-103X	MG RESISTOR	10kΩ 1/16W J						E,G20

△ Symbol No.	Part No.	Part Name	Description	Local	△ Symbol No.	Part No.	Part Name	Description	Local
R76	NRSA63J-472X	MG RESISTOR	4.7kΩ 1/16W J	G201 E,G20 1EX,G 202E, G202 EX	R568	NRSA63J-302X	MG RESISTOR	3kΩ 1/16W J	
R77	NRSA02J-101X	MG RESISTOR	100Ω 1/10W J	G201 E,G20 1EX,G 202E, G202 EX	R569	NRSA63J-472X	MG RESISTOR	4.7kΩ 1/16W J	
R81	NRSA63J-103X	MG RESISTOR	10kΩ 1/16W J		R571	NRSA63J-152X	MG RESISTOR	1.5kΩ 1/16W J	
R82	NRSA63J-183X	MG RESISTOR	18kΩ 1/16W J		R572	NRSA63J-152X	MG RESISTOR	1.5kΩ 1/16W J	
R91	NRSA63J-103X	MG RESISTOR	10kΩ 1/16W J		R573	NRSA63J-152X	MG RESISTOR	1.5kΩ 1/16W J	
R92	NRSA63J-183X	MG RESISTOR	18kΩ 1/16W J		R574	NRS181J-220X	MG RESISTOR	22Ω 1/8W J	
R162	NRSA63J-223X	MG RESISTOR	22kΩ 1/16W J		R575	NRS181J-220X	MG RESISTOR	22Ω 1/8W J	
R163	NRSA63J-222X	MG RESISTOR	2.2kΩ 1/16W J		R576	NRSA02J-512X	MG RESISTOR	5.1kΩ 1/10W J	
R164	NRSA63J-271X	MG RESISTOR	270Ω 1/16W J		R577	NRSA02J-822X	MG RESISTOR	8.2kΩ 1/10W J	
R165	NRSA63J-473X	MG RESISTOR	47kΩ 1/16W J		R581	NRSA63J-183X	MG RESISTOR	18kΩ 1/16W J	
R166	NRSA63J-473X	MG RESISTOR	47kΩ 1/16W J		R582	NRSA63J-333X	MG RESISTOR	33kΩ 1/16W J	
R167	NRSA63J-273X	MG RESISTOR	27kΩ 1/16W J		R583	NRSA63J-123X	MG RESISTOR	12kΩ 1/16W J	
R168	NRSA63J-273X	MG RESISTOR	27kΩ 1/16W J		R584	NRSA63J-151X	MG RESISTOR	150Ω 1/16W J	
R172	NRSA63J-223X	MG RESISTOR	22kΩ 1/16W J		R585	NRSA63J-0R0X	MG RESISTOR	0Ω 1/16W J	
R173	NRSA63J-222X	MG RESISTOR	2.2kΩ 1/16W J		R586	NRSA63J-223X	MG RESISTOR	22kΩ 1/16W J	
R174	NRSA63J-271X	MG RESISTOR	270Ω 1/16W J		R587	NRSA63J-223X	MG RESISTOR	22kΩ 1/16W J	
R175	NRSA63J-473X	MG RESISTOR	47kΩ 1/16W J		R591	NRSA63J-183X	MG RESISTOR	18kΩ 1/16W J	
R176	NRSA63J-473X	MG RESISTOR	47kΩ 1/16W J		R592	NRSA63J-333X	MG RESISTOR	33kΩ 1/16W J	
R177	NRSA63J-273X	MG RESISTOR	27kΩ 1/16W J		R593	NRSA63J-123X	MG RESISTOR	12kΩ 1/16W J	
R178	NRSA63J-273X	MG RESISTOR	27kΩ 1/16W J		R594	NRSA63J-151X	MG RESISTOR	150Ω 1/16W J	
R191	NRS181J-100X	MG RESISTOR	10Ω 1/8W J		R595	NRSA63J-0R0X	MG RESISTOR	0Ω 1/16W J	
R301	NRSA63J-472X	MG RESISTOR	4.7kΩ 1/16W J		R596	NRSA63J-223X	MG RESISTOR	22kΩ 1/16W J	
R341	NRSA02J-821X	MG RESISTOR	820Ω 1/10W J		R597	NRSA63J-223X	MG RESISTOR	22kΩ 1/16W J	
R342	NRSA02J-101X	MG RESISTOR	100Ω 1/10W J		R705	NRSA63J-222X	MG RESISTOR	2.2kΩ 1/16W J	
R343	NRSA63J-222X	MG RESISTOR	2.2kΩ 1/16W J		R706	NRSA63J-222X	MG RESISTOR	2.2kΩ 1/16W J	
R351	NRSA02J-821X	MG RESISTOR	820Ω 1/10W J		R708	NRSA63J-222X	MG RESISTOR	2.2kΩ 1/16W J	
R352	NRSA02J-101X	MG RESISTOR	100Ω 1/10W J		R709	NRSA63J-473X	MG RESISTOR	47kΩ 1/16W J	
R353	NRSA63J-222X	MG RESISTOR	2.2kΩ 1/16W J		R710	NRSA63J-473X	MG RESISTOR	47kΩ 1/16W J	
R503	NRSA63J-823X	MG RESISTOR	82kΩ 1/16W J		R711	NRSA63J-103X	MG RESISTOR	10kΩ 1/16W J	
R504	NRSA63J-823X	MG RESISTOR	82kΩ 1/16W J		R712	NRSA63J-103X	MG RESISTOR	10kΩ 1/16W J	
R505	NRSA63J-334X	MG RESISTOR	330kΩ 1/16W J		R713	NRSA63J-103X	MG RESISTOR	10kΩ 1/16W J	
R506	NRSA63J-334X	MG RESISTOR	330kΩ 1/16W J		R714	NRSA63J-103X	MG RESISTOR	10kΩ 1/16W J	
R507	NRSA02J-220X	MG RESISTOR	22Ω 1/10W J		R715	NRSA63J-103X	MG RESISTOR	10kΩ 1/16W J	
R508	NRSA02J-220X	MG RESISTOR	22Ω 1/10W J		R717	NRSA63J-103X	MG RESISTOR	10kΩ 1/16W J	
R509	NRSA63J-823X	MG RESISTOR	82kΩ 1/16W J		R718	NRSA63J-103X	MG RESISTOR	10kΩ 1/16W J	
R510	NRSA63J-563X	MG RESISTOR	56kΩ 1/16W J		R719	NRSA63J-472X	MG RESISTOR	4.7kΩ 1/16W J	
R511	NRSA63J-103X	MG RESISTOR	10kΩ 1/16W J		R720	NRSA63J-472X	MG RESISTOR	4.7kΩ 1/16W J	
R512	NRSA63J-202X	MG RESISTOR	2kΩ 1/16W J		R721	NRSA63J-472X	MG RESISTOR	4.7kΩ 1/16W J	
R513	NRSA63J-102X	MG RESISTOR	1kΩ 1/16W J		R722	NRSA63J-473X	MG RESISTOR	47kΩ 1/16W J	
R514	NRSA63J-153X	MG RESISTOR	15kΩ 1/16W J		R723	NRSA63J-473X	MG RESISTOR	47kΩ 1/16W J	
R515	NRSA63J-101X	MG RESISTOR	100Ω 1/16W J		R724	NRSA63J-0R0X	MG RESISTOR	0Ω 1/16W J	
R516	NRSA63J-821X	MG RESISTOR	820Ω 1/16W J		R725	NRSA63J-473X	MG RESISTOR	47kΩ 1/16W J	
R517	NRSA63J-0R0X	MG RESISTOR	0Ω 1/16W J		R726	NRSA63J-473X	MG RESISTOR	47kΩ 1/16W J	
R519	NRSA02J-151X	MG RESISTOR	150Ω 1/10W J		R727	NRSA63J-103X	MG RESISTOR	10kΩ 1/16W J	
R521	NRSA63J-562X	MG RESISTOR	5.6kΩ 1/16W J		R728	NRSA63J-473X	MG RESISTOR	47kΩ 1/16W J	
R522	NRSA63J-473X	MG RESISTOR	47kΩ 1/16W J		R729	NRSA63J-473X	MG RESISTOR	47kΩ 1/16W J	
R523	NRSA63J-474X	MG RESISTOR	470kΩ 1/16W J		R730	NRSA63J-104X	MG RESISTOR	100kΩ 1/16W J	
R524	NRSA63J-153X	MG RESISTOR	15kΩ 1/16W J		R734	NRSA63J-472X	MG RESISTOR	4.7kΩ 1/16W J	
R525	NRSA63J-103X	MG RESISTOR	10kΩ 1/16W J		R735	NRSA63J-102X	MG RESISTOR	1kΩ 1/16W J	
R526	NRSA63J-0R0X	MG RESISTOR	0Ω 1/16W J		R736	NRSA63J-122X	MG RESISTOR	1.2kΩ 1/16W J	
R527	NRSA63J-101X	MG RESISTOR	100Ω 1/16W J		R738	NRSA63J-0R0X	MG RESISTOR	0Ω 1/16W J	
R528	NRSA63J-101X	MG RESISTOR	100Ω 1/16W J		R739	NRSA63J-0R0X	MG RESISTOR	0Ω 1/16W J	
R529	NRSA63J-0R0X	MG RESISTOR	0Ω 1/16W J		R740	NRSA63J-104X	MG RESISTOR	100kΩ 1/16W J	
R530	NRSA63J-0R0X	MG RESISTOR	0Ω 1/16W J		R741	NRSA63J-103X	MG RESISTOR	10kΩ 1/16W J	
R531	NRSA63J-101X	MG RESISTOR	100Ω 1/16W J		R742	NRSA63J-473X	MG RESISTOR	47kΩ 1/16W J	
R532	NRSA63J-101X	MG RESISTOR	100Ω 1/16W J		R743	NRSA63J-473X	MG RESISTOR	47kΩ 1/16W J	
R533	NRSA63J-105X	MG RESISTOR	1MΩ 1/16W J		R744	NRSA63J-103X	MG RESISTOR	10kΩ 1/16W J	
R534	NRSA63J-472X	MG RESISTOR	4.7kΩ 1/16W J		R750	NRSA63J-223X	MG RESISTOR	22kΩ 1/16W J	G201 E,G20 1EX,G 202E, G202 EX
R535	NRSA63J-472X	MG RESISTOR	4.7kΩ 1/16W J		R751	NRSA63J-222X	MG RESISTOR	2.2kΩ 1/16W J	G201 E,G20 1EX,G 202E, G202 EX
R536	NRSA63J-472X	MG RESISTOR	4.7kΩ 1/16W J		R752	NRSA63J-103X	MG RESISTOR	10kΩ 1/16W J	
R537	NRSA63J-472X	MG RESISTOR	4.7kΩ 1/16W J		R753	NRSA63J-473X	MG RESISTOR	47kΩ 1/16W J	
R538	NRSA63J-103X	MG RESISTOR	10kΩ 1/16W J		R754	NRSA63J-0R0X	MG RESISTOR	0Ω 1/16W J	
R539	NRSA63J-155X	MG RESISTOR	1.5MΩ 1/16W J		R755	NRSA63J-0R0X	MG RESISTOR	0Ω 1/16W J	
R561	NRSA63J-333X	MG RESISTOR	33kΩ 1/16W J		R782	NRSA63J-103X	MG RESISTOR	10kΩ 1/16W J	
R562	NRSA63J-822X	MG RESISTOR	8.2kΩ 1/16W J		R882	NRSA63J-473X	MG RESISTOR	47kΩ 1/16W J	
R563	NRSA63J-472X	MG RESISTOR	4.7kΩ 1/16W J		R891	NRSA63J-473X	MG RESISTOR	47kΩ 1/16W J	
R564	NRSA63J-153X	MG RESISTOR	15kΩ 1/16W J		R892	NRSA63J-102X	MG RESISTOR	1kΩ 1/16W J	
R566	NRSA02J-822X	MG RESISTOR	8.2kΩ 1/10W J		R901	QRE142J-102X	C RESISTOR	1kΩ 1/4W J	
R567	NRSA63J-682X	MG RESISTOR	6.8kΩ 1/16W J		R902	NRSA02J-912X	MG RESISTOR	9.1kΩ 1/10W J	

△ Symbol No.	Part No.	Part Name	Description	Local	△ Symbol No.	Part No.	Part Name	Description	Local
R903	NRSA02J-472X	MG RESISTOR	4.7kΩ 1/10W J						
R905	NRSA02J-822X	MG RESISTOR	8.2kΩ 1/10W J						
R906	NRSA63J-203X	MG RESISTOR	20kΩ 1/16W J		D632	LNJ308G81/1-3/X	LED		G202 E,G20 2EX,G 207E E
R971	NRS181J-222X	MG RESISTOR	2.2kΩ 1/8W J						G201
R972	NRS181J-222X	MG RESISTOR	2.2kΩ 1/8W J						E,G20 1EX
L1	QQL244J-4R7Z	INDUCTIOR	4.7uH J		D633	SML-310VT/JK/-X	LED		G202
L521	QQL244J-470Z	COIL	47uH J						E,G20
L522	QQL244J-470Z	COIL	47uH J		D633	LNJ308G81/1-3/X	LED		2EX,G 207E E
L523	QQL244J-470Z	COIL	47uH J						G201
L524	QQL244J-470Z	COIL	47uH J						E,G20 1EX
L701	QQL244K-4R7Z	COIL	4.7uH K		D634	SML-310VT/JK/-X	LED		G202
L702	QQL244K-4R7Z	COIL	4.7uH K						E,G20 2EX,G 207E E
L901	QQR0703-001	CHOKO COIL			D634	LNJ308G81/1-3/X	LED		G201 E,G20 1EX
CN501	QGB2027M4-22S	CONNECTOR	B-B (1-22)						G202
CN701	VMC0334-001	CONNECTOR			D634	LNJ308G81/1-3/X	LED		E,G20 2EX,G 207E E
CN702	QGA2006F1-02	CONNECTOR	W-B (1-2)	G201 E,G20 1EX,G 202E, G202 EX	D635	SML-310VT/JK/-X	LED		G201 E,G20 1EX
CN901	QNZ0650-001	CAR CONNECTOR			D635	LNJ308G81/1-3/X	LED		G202 E,G20 2EX,G 207E E
J1	QNB0100-002	CAR ANT JACK							G201 E,G20 1EX
J301	QNN0519-001	SURROUND JACK							G202 E,G20 2EX,G 207E E
PP1	QZW0010-001	STYLE PIN		G201 E,G20 1EX,G 202E, G202 EX	D636	SML-310VT/JK/-X	LED		G201 E,G20 1EX
PP2	QZW0010-001	STYLE PIN		G201 E,G20 1EX,G 202E, G202 EX	D636	LNJ308G81/1-3/X	LED		G202 E,G20 2EX,G 207E E
TU1	QAU0313-001	TUNER		G201 E,G20 1EX,G 202E, G202 EX	D637	SML-310VT/JK/-X	LED		G201 E,G20 1EX
TU1	QAU0314-001	TUNER		G207 EE	D637	LNJ308G81/1-3/X	LED		G202 E,G20 2EX,G 207E E
X71	QAX0792-001Z	CRYSTAL		G201 E,G20 1EX,G 202E, G202 EX	D638	LNJ308G81/1-3/X	LED		G201 E,G20 1EX
X521	QAX0794-001Z	CRYSTAL			D638	LNJ308G81/1-3/X	LED		G202 E,G20 2EX,G 207E E
X701	QAX0793-001Z	CRYSTAL			D639	SML-310VT/JK/-X	LED		G201 E,G20 1EX

Front board

Block No. [0][2][0][0]

△ Symbol No.	Part No.	Part Name	Description	Local	△ Symbol No.	Part No.	Part Name	Description	Local
IC661	PT6523LQ	IC			D640	LNJ308G81/1-3/X	LED		G201 E,G20 1EX G202 E,G20 2EX,G 207E E
Q670	2SB624/4/-X	TRANSISTOR			D640	SML-310VT/JK/-X	LED		G201 E,G20 1EX
Q671	UN2211-X	TRANSISTOR			D641	SML-310VT/JK/-X	LED		G202 E,G20 2EX,G 207E E
D630	SML-310LT/MN/-X	LED			D641	LNJ308G81/1-3/X	LED		G201 E,G20 1EX
D631	SML-310VT/JK/-X	LED		G201 E,G20 1EX G202 E,G20 2EX,G 207E E	D641	LNJ308G81/1-3/X	LED		G201 E,G20 1EX
D631	LNJ308G81/1-3/X	LED			D642	SML-310VT/JK/-X	LED		G202 E,G20 2EX,G 207E E
D632	SML-310VT/JK/-X	LED		G201 E,G20 1EX	D642	LNJ308G81/1-3/X	LED		G201 E,G20 2EX,G 207E E

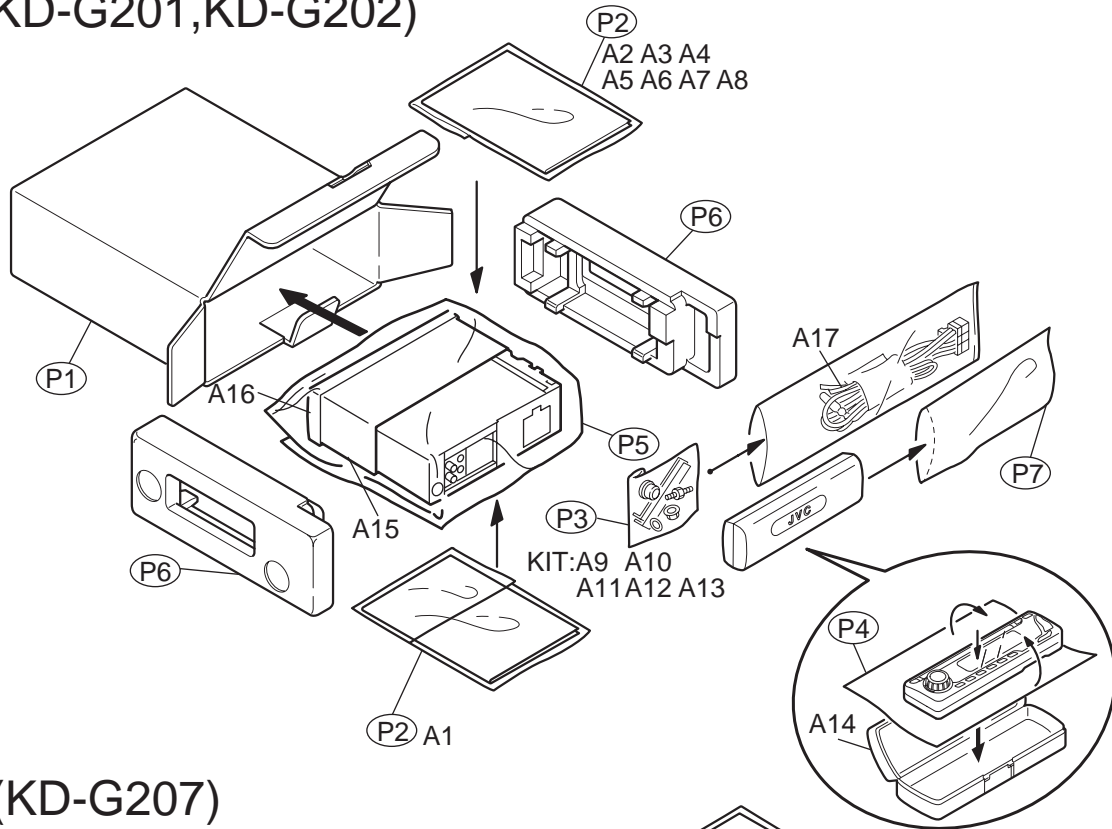
△ Symbol No.	Part No.	Part Name	Description	Local	△ Symbol No.	Part No.	Part Name	Description	Local
D643	SML-310VT/JK/-X	LED		G201 E,G01 EX	D653	NSPW310BS/BRS/	LED		G202 E,G20 2EX,G 207E E
D643	LNJ308G81/1-3/X	LED		G202 E,G20 2EX,G 207E E	D661	MA111-X	SI DIODE		
D644	SML-310VT/JK/-X	LED		G201 E,G20 1EX	D662	UDZS5.1B-X	Z DIODE		
D644	LNJ308G81/1-3/X	LED		G202 E,G20 2EX,G 207E E	C661	NBE20JM-106X	TA E CAPACITOR	10uF 6.3V M	
D645	SML-310VT/JK/-X	LED		G201 E,G20 1EX	C662	NCS31HJ-681X	C CAPACITOR	680pF 50V J	
D645	LNJ308G81/1-3/X	LED		G202 E,G20 2EX,G 207E E	C663	NCB31HK-223X	C CAPACITOR	0.022uF 50V K	
D646	SML-310VT/JK/-X	LED		G201 E,G20 1EX	C686	NCB31HK-223X	C CAPACITOR	0.022uF 50V K	
D646	LNJ308G81/1-3/X	LED		G202 E,G20 2EX,G 207E E	C687	NCB31HK-223X	C CAPACITOR	0.022uF 50V K	
D647	SML-310VT/JK/-X	LED		G201 E,G20 1EX	R601	NRSA63J-821X	MG RESISTOR	820Ω 1/16W J	
D647	LNJ308G81/1-3/X	LED		G202 E,G20 2EX,G 207E E	R602	NRSA63J-821X	MG RESISTOR	820Ω 1/16W J	
D648	SML-310VT/JK/-X	LED		G201 E,G20 1EX	R603	NRSA63J-122X	MG RESISTOR	1.2kΩ 1/16W J	
D648	LNJ308G81/1-3/X	LED		G202 E,G20 2EX,G 207E E	R604	NRSA63J-182X	MG RESISTOR	1.8kΩ 1/16W J	
D649	SML-310VT/JK/-X	LED		G201 E,G20 1EX	R605	NRSA63J-272X	MG RESISTOR	2.7kΩ 1/16W J	
D649	LNJ308G81/1-3/X	LED		G202 E,G20 2EX,G 207E E	R606	NRSA63J-821X	MG RESISTOR	820Ω 1/16W J	
D650	SML-310VT/JK/-X	LED		G201 E,G20 1EX	R607	NRSA63J-821X	MG RESISTOR	820Ω 1/16W J	
D650	LNJ308G81/1-3/X	LED		G202 E,G20 2EX,G 207E E	R608	NRSA63J-122X	MG RESISTOR	1.2kΩ 1/16W J	
D651	SML-310VT/JK/-X	LED		G201 E,G20 1EX	R609	NRSA63J-182X	MG RESISTOR	1.8kΩ 1/16W J	
D651	LNJ308G81/1-3/X	LED		G202 E,G20 2EX,G 207E E	R610	NRSA63J-821X	MG RESISTOR	820Ω 1/16W J	
D652	NSPW310BS/B2RS/	LED		G201 E,G20 1EX	R611	NRSA63J-821X	MG RESISTOR	820Ω 1/16W J	
D652	NSPW310BS/BRS/	LED		G202 E,G20 2EX,G 207E E	R612	NRSA63J-122X	MG RESISTOR	1.2kΩ 1/16W J	
D653	NSPW310BS/B2RS/	LED		G201 E,G20 1EX	R613	NRSA63J-182X	MG RESISTOR	1.8kΩ 1/16W J	
				G202 E,G20 2EX,G 207E E	R614	NRSA63J-272X	MG RESISTOR	2.7kΩ 1/16W J	
				G201 E,G20 1EX	R615	NRSA63J-392X	MG RESISTOR	3.9kΩ 1/16W J	
				G202 E,G20 2EX,G 207E E	R630	NRSA02J-821X	MG RESISTOR	820Ω 1/10W J	
				G201 E,G20 1EX	R631	NRSA02J-471X	MG RESISTOR	470Ω 1/10W J	
				G202 E,G20 2EX,G 207E E	R633	NRSA02J-681X	MG RESISTOR	680Ω 1/10W J	G201 E,G20 1EX
				G201 E,G20 1EX	R633	NRSA02J-331X	MG RESISTOR	330Ω 1/10W J	G202 E,G20 2EX,G 207E E
				G202 E,G20 2EX,G 207E E	R637	NRSA02J-821X	MG RESISTOR	820Ω 1/10W J	
				G201 E,G20 1EX	R639	NRSA02J-331X	MG RESISTOR	330Ω 1/10W J	
				G202 E,G20 2EX,G 207E E	R641	NRSA02J-331X	MG RESISTOR	330Ω 1/10W J	
				G201 E,G20 1EX	R643	NRSA02J-471X	MG RESISTOR	470Ω 1/10W J	G201 E,G20 1EX
				G202 E,G20 2EX,G 207E E	R643	NRSA02J-431X	MG RESISTOR	430Ω 1/10W J	G202 E,G20 2EX,G 207E E
				G201 E,G20 1EX	R645	NRSA02J-471X	MG RESISTOR	470Ω 1/10W J	G201 E,G20 1EX
				G202 E,G20 2EX,G 207E E	R645	NRSA02J-431X	MG RESISTOR	430Ω 1/10W J	G202 E,G20 2EX,G 207E E
				G201 E,G20 1EX	R647	NRSA02J-471X	MG RESISTOR	470Ω 1/10W J	G201 E,G20 1EX
				G202 E,G20 2EX,G 207E E	R647	NRSA02J-431X	MG RESISTOR	430Ω 1/10W J	G202 E,G20 2EX,G 207E E
				G201 E,G20 1EX	R649	NRS181J-391X	MG RESISTOR	390Ω 1/8W J	
				G202 E,G20 2EX,G 207E E	R650	NRS181J-391X	MG RESISTOR	390Ω 1/8W J	
				G201 E,G20 1EX	R651	NRSA02J-471X	MG RESISTOR	470Ω 1/10W J	G201 E,G20 1EX
				G202 E,G20 2EX,G 207E E	R651	NRSA02J-431X	MG RESISTOR	430Ω 1/10W J	G202 E,G20 2EX,G 207E E
				G201 E,G20 1EX	R661	NRSA63J-222X	MG RESISTOR	2.2kΩ 1/16W J	
				G202 E,G20 2EX,G 207E E	R662	NRSA63J-222X	MG RESISTOR	2.2kΩ 1/16W J	
				G201 E,G20 1EX	R663	NRSA63J-184X	MG RESISTOR	180kΩ 1/16W J	
				G202 E,G20 2EX,G 207E E	R664	NRSA63J-103X	MG RESISTOR	10kΩ 1/16W J	
				G201 E,G20 1EX	R665	NRSA63J-513X	MG RESISTOR	51kΩ 1/16W J	
				G202 E,G20 2EX,G 207E E	R666	NRSA63J-103X	MG RESISTOR	10kΩ 1/16W J	

Symbol No.	Part No.	Part Name	Description	Local
R667	NRSA63J-103X	MG RESISTOR	10kΩ 1/16W J	
R668	NRSA63J-103X	MG RESISTOR	10kΩ 1/16W J	
R670	NRS181J-471X	MG RESISTOR	470Ω 1/8W J	
R671	NRSA63J-473X	MG RESISTOR	47kΩ 1/16W J	
R672	NRS181J-102X	MG RESISTOR	1kΩ 1/8W J	
R686	NRSA63J-101X	MG RESISTOR	100Ω 1/16W J	
R687	NRSA63J-473X	MG RESISTOR	47kΩ 1/16W J	
R688	NRSA63J-473X	MG RESISTOR	47kΩ 1/16W J	
CJ601	VMC0335-001	PANEL CONNECTOR		
JS686	QSW0863-003	ROTARY ENCODER		
S601	NSW0124-001X	TACT SW		
S602	NSW0124-001X	TACT SW		
S603	NSW0124-001X	TACT SW		
S604	NSW0124-001X	TACT SW		
S605	NSW0124-001X	TACT SW		
S606	NSW0124-001X	TACT SW		
S607	NSW0124-001X	TACT SW		
S608	NSW0124-001X	TACT SW		
S609	NSW0124-001X	TACT SW		
S610	NSW0124-001X	TACT SW		
S611	NSW0124-001X	TACT SW		
S612	NSW0124-001X	TACT SW		
S613	NSW0124-001X	TACT SW		
S614	NSW0124-001X	TACT SW		
S615	NSW0124-001X	TACT SW		
S616	NSW0124-001X	TACT SW		
S617	NSW0124-001X	TACT SW		
S618	NSW0124-001X	TACT SW		

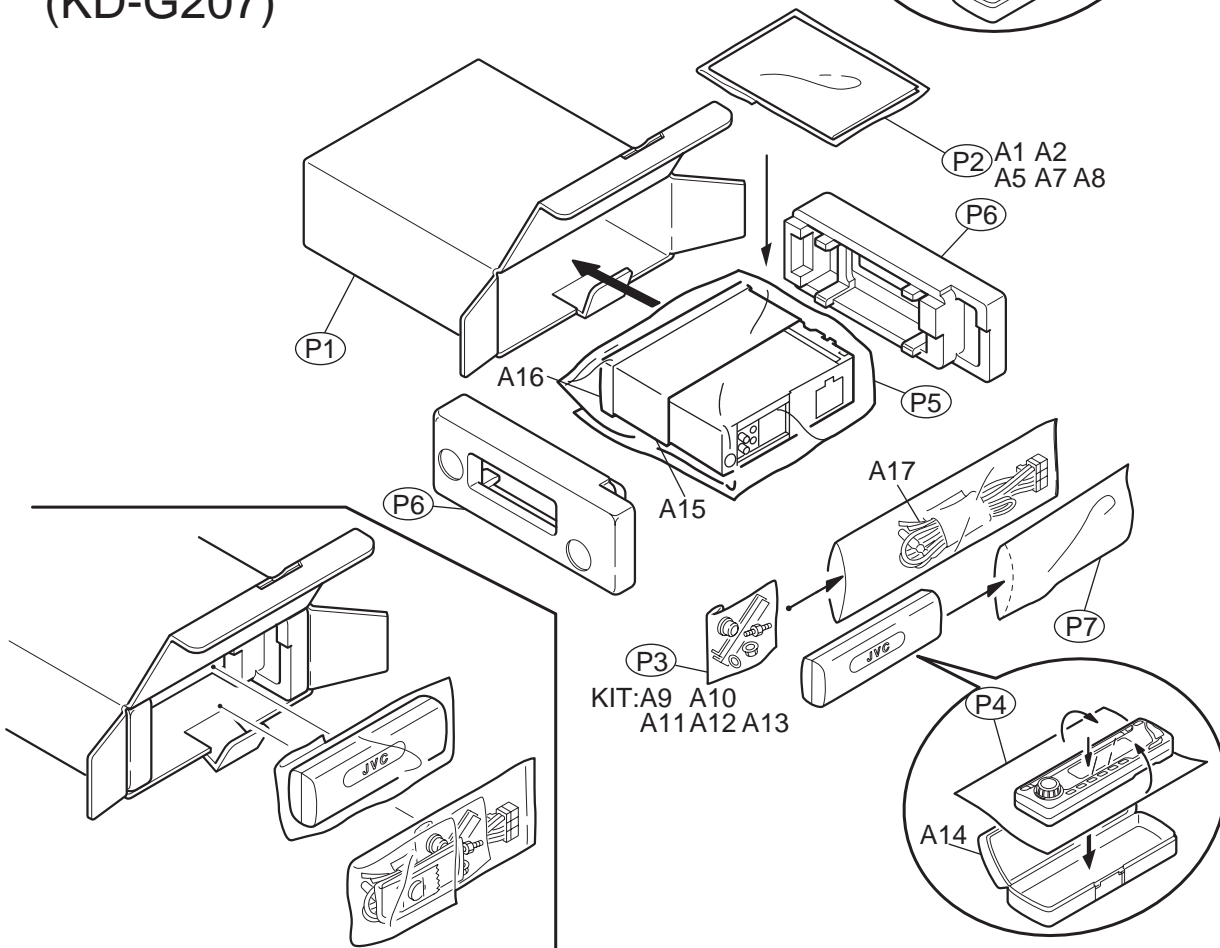
Packing materials and accessories parts list

Block No. M 3 M M

(KD-G201, KD-G202)



(KD-G207)



Packing and accessories

Block No. [M][3][M][M]

△ Symbol No.	Part No.	Part Name	Description	Local
A 1	GET0184-001A	INSTALL MANUAL	ENG GER FRE DUT	G201 E,G20 1EX,G 202E, G202 EX
A 1	GET0179-001A	INST BOOK	ENG RUS	G207 EE
A 2	GET0184-002A	INST SHEET	SPA ITA POL RUS	G201 E,G20 2E
A 2	GET0184-003A	INST SHEET	SWE DAN FIN GRE	G201 EX,G2 02EX
A 2	GET0179-002A	INSTALL MANUAL		G207 EE
A 3	GET0184-005A	INSTALL MANUAL		G201 E,G20 1EX,G 202E, G202 EX
A 4	GET0184-006A	INSTALL MANUAL		G201 E,G20 2E
A 4	GET0184-007A	INSTALL MANUAL		G201 EX,G2 02EX
A 5	BT-54013-7	WARRANTY CARD		
A 6	VND3050-002	IDENTITY CARD		G201 E,G20 1EX,G 202E, G202 EX
A 7	VND3046-001	SERIAL TICKET		
A 8	GET0208-002A	DEMO MODE SHEET		G201 EX,G2 02EX
A 8	GET0208-001A	DEMO MODE SHT		G201 E,G20 2E,G2 07EE
A 9	VKZ4027-202	PLUG NUT		
A 10	VKH4871-001SS	MOUNT BOLT		
A 11	VKZ4328-001	LOCK NUT		
A 12	WNS5000Z	WASHER		
A 13	GE40130-002A	HOOK	(x2)	
A 14	FSJB3002-00C	HARD CASE		
A 15	GE20137-003A	MOUNTING SLEEVE		
A 16	GE20135-004A	TRIM PLATE		
△ A 17	QAM0175-002	POWER CORD		
KIT	SRW-200J	SCREW PARTS KIT	A9 A10 A11 A12 A13	
P 1	GE31081-001A	CARTON		G201 E,G20 1EX
P 1	GE31084-001A	CARTON		G202 E,G20 2EX
P 1	GE31087-002A	CARTON		G207 EE
P 2	FSPG4002-001	POLY BAG	(x2)	G201 E,G20 1EX,G 202E, G202 EX
P 2	FSPG4002-001	POLY BAG		G207 EE
P 3	QPA00801205	POLY BAG	8cm x 12cm	
P 4	FSYH4036-068	SHEET		
P 5	QPC03004315P	POLY BAG	30cm x 43cm	
P 6	GE10070-002A	EPS CUSHION		
P 7	QPA01003003	POLY BAG	10cm x 30cm	